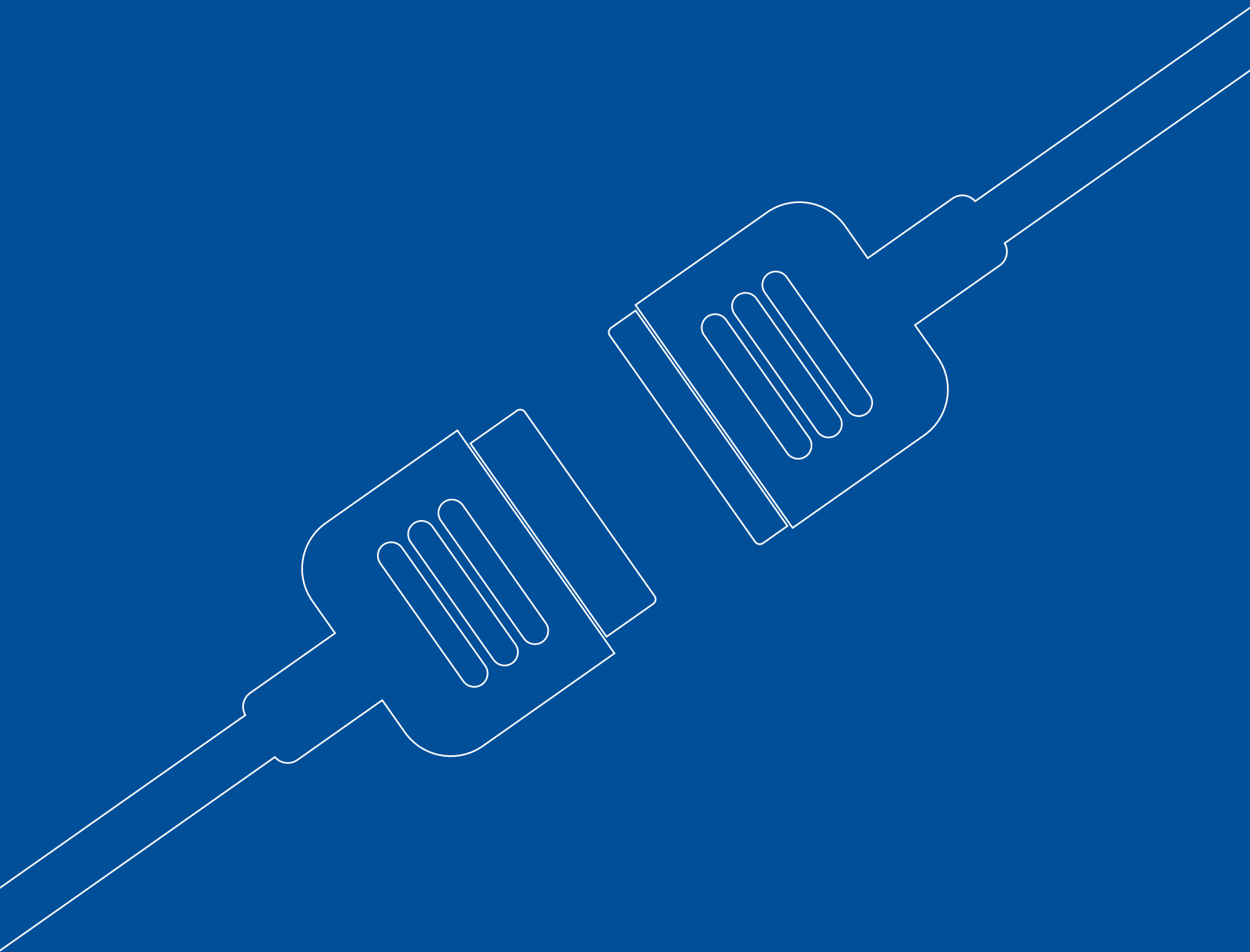


MAIN CATALOGUE



OSSI®: CONNECT TO EXCELLENCE

MAIN CATALOGUE / EDITION 10

OSSI®
CONNECTORS

CONNECTORS, PARTS AND
EXCELLENCE SINCE 1974

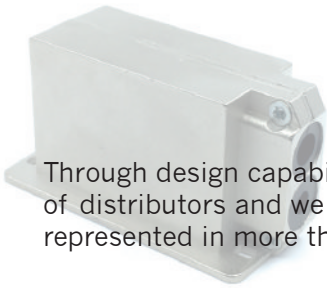


Supply and Service

Ossi Connectors A/S® is a leading supplier in design and manufacturing of I/O interconnect products for the electronics, datacom, telecom, medical and industrial market sectors. Our vast experience of designing standard and custom design solutions positions us as the provider for your interconnection applications.



Benefits



Through design capability, high quality and short lead times, our products are distributed by efficient network of distributors and we also co-operate with key accounts for special requirements. Ossi Connectors A/S® is represented in more than 25 countries and our distribution network is constantly growing.

Capability

The fully automatic assembly and packaging machines with our experienced employees assure the quality standards and support our production processes. The manufacturing resources include design, prototypes and manufacturing of standard and custom designed products. The engineering department supports our clients through the entire concept stage from idea to serial production.



Address

Ossi Connectors A/S
Anker Joergensens Vej 2
DK - 4930 Maribo
Denmark

Contact

T +45 5478 2888
E info@ossi.dk
W www.ossi.dk

D-SUB PLASTIC BACKSHELLS

| | |
|--|----|
| GENERAL INFORMATION PLASTIC BACKSHELLS | 8 |
| DPPK | 9 |
| DTPPK | 10 |
| DPPK-2 | 11 |
| DVPK | 12 |
| DSPK-SL | 13 |

EMI/RFI SHIELDED D-SUB BACKSHELLS

| | |
|---|---------|
| GENERAL INFORMATION SHIELDED BACKSHELLS | 14 - 17 |
| DTPMK | 18 |
| DVPMK | 19 |
| DTZK | 20 |
| DTZK-JSS | 21 |
| DVZK | 22 |
| DVZK-JSS | 23 |
| DTZK-CZA | 24 |
| DTZK-CZAK | 25 |
| DVZK-CZA | 25 |
| DVZK-CZAK | 27 |
| DVZK-SL | 28 |
| DVZK-W | 29 |
| DTNMK (non-magnetic) | 30 |
| DVNMK (non-magnetic) | 31 |
| DSZK | 32 |
| DSZK-CZA | 33 |
| DSVZK | 34 |
| DMTZK | 35 |
| DMTZK-SL | 36 |
| DMVZK | 37 |
| DMVZK-SL | 38 |
| DSZK-SL | 39 |
| DSK-SL | 40 |
| DSK / DTK-SL | 41 |

CRIMPTOOLS AND CRIMPDIES

| | |
|-----------------------------|----|
| CRIMP TOOL DTCT AND DIES | 41 |
| CRIMP TOOL DTCT-RB AND DIES | 42 |

D-SUB ACCESSORIES

| | |
|-----------------------------|----|
| JACKSCREWS | 43 |
| FEMALE SCREW LOCK | 44 |
| SLIDE LOCK | 45 |
| DCR COLOUR CODING FRAMES | 46 |
| DVZK-D1 CABLE STRAIN RELIEF | 47 |
| DMZK-D1 CABLE BOOT | 48 |
| DTZK-D5 CABLE OUTLET PLUG | 49 |
| DTZK-D6 AND D7 SEALING PLUG | 50 |
| DMZK-D2 CABLE BOOT | 51 |

ADAPTOR HOODS

| | |
|---|----|
| D-SUB / RJ45 ADAPTOR DA SERIES | 52 |
| SHIELDED D-SUB / RJ-45 ADAPTOR DAM SERIES | 53 |
| D-SUB ADAPTOR DAPK SERIES | 54 |
| SHIELDED D-SUB ADAPTOR DAPMK SERIES | 55 |

19" PATCH PANELS

| | |
|-----------------------------|----|
| KK1A SERIES | 56 |
| KK1A PANEL VERSIONS | 57 |
| KK1P SERIES | 58 |
| KK1P PANEL VERSIONS | 59 |
| KK1.5A SERIES | 60 |
| KK1.5A PANEL VERSIONS | 61 |
| KK2A SERIES | 62 |
| KK2A PANEL VERSIONS | 63 |
| KK2P SERIES | 64 |
| KK2P PANEL VERSIONS | 65 |
| SIG-S IDENTIFICATION SYSTEM | 66 |

BNC COVERS

BNC COVERS TB / TL / YB SERIES

67

M12 CABLE CONNECTORS

| | |
|---|---------|
| M12 A - P CODING MATRIX | 68 |
| LITZ WIRE COLOURS M12 DEVICE PLUG-IN CONNECTOR | 69 |
| GENERAL INFORMATION M12 CABLE CONNECTORS | 70 - 71 |
| SHIELDED CABLE CONNECTOR WITH CRIMP CONTACTS M12SCC | 72 |

M12 PANEL CONNECTORS

| | |
|--|---------|
| GENERAL INFORMATION M12 PANEL CONNECTORS | 73 - 74 |
| SHIELDED PANEL FRONT CONNECTOR WITH CRIMP CONTACTS M12SCFP | 75 - 76 |
| SHIELDED PANEL REAR CONNECTOR WITH CRIMP CONTACTS M12SCRP | 77 - 78 |

M12 MOULDED OPEN-END CORDSET

| | |
|--|----|
| GENERAL INFORMATION MALE MOULDED CORDSET UMA SERIES | 79 |
| MOULDED MALE PUR OR PVC CABLE OPEN-END UMA SERIES | 80 |
| GENERAL INFORMATION FEMALE MOULDED CORDSET UFA SERIES | 81 |
| MOULDED FEMALE PUR OR PVC CABLE OPEN-END UFA SERIES | 82 |
| GENERAL INFORMATION SHIELDED MALE MOULDED CORDSET SMA SERIES | 83 |
| SHIELDED MOULDED MALE PUR OR PVC CABLE OPEN-END SMA SERIES | 84 |
| GENERAL INFORMATION SHIELDED FEMALE MOULDED CORDSET SFA SERIES | 85 |
| SHIELDED MOULDED FEMALE PUR OR PVC CABLE OPEN-END SFA SERIES | 86 |

M12 CONNECTOR TOOLS AND CONTACTS

M12 CONNECTOR TOOLS AND CONTACTS

87

CABLE PG BUSHINGS

OPG SERIES

88

BOARDMOUNT CONNECTORS

| | |
|----------------------------|----|
| BOARDMOUNT CONNECTORS OM9 | 89 |
| BOARDMOUNT CONNECTORS OM18 | 90 |
| BOARDMOUNT CONNECTORS OM34 | 91 |

CUSTOM DESIGNED SOLUTIONS

| | |
|---|-----|
| EMI/RFI SHIELDED D-SUB BACKSHELL WITH ANGLED OUTLET | 92 |
| EMI/RFI SHIELDED MEDICAL DEVICE D-SUB BACKSHELL | 93 |
| EMI/RFI SHIELDED ALUMINIUM D-SUB BACKSHELL WITH ANGLED OUTLET | 94 |
| EMI/RFI SHIELDED D-SUB BACKSHELL WITH DOUBLE CABLE OUTLETS | 95 |
| EMI/RFI SHIELDED POWER SUPPLY BACKSHELL | 96 |
| EMI/RFI SHIELDED 9-WAY D-SUB ADAPTOR | 97 |
| 15-WAY CABLE STRAIN RELIEF INTEGRATED D-SUB BACKSHELL | 98 |
| 25-WAY D-SUB BACKSHELL FOR PCB APPLICATION | 99 |
| EMI/RFI SHIELDED ALUMINIUM D-SUBBACKSHELL WITH STRAIGHT OUTLET | 100 |
| 5-WAY VEHICLE IMMOBILISER CONNECTOR SYSTEM | 101 |
| 12-WAY MEASURE DEVICE PANEL CONNECTOR | 102 |
| 35 mm ² and 70 mm ² CABLE CONNECTOR INSULATOR | 103 |
| SCREW HEAD INSULATOR | 104 |
| 2-WAY RADAR DEVICE CONNECTOR SYSTEM | 105 |
| 16-WAY AEROSPACE CONNECTOR SYSTEM | 106 |
| 5-WAY IDC ELEVATOR CONNECTOR SYSTEM | 107 |
| 3-WAY MEDICAL SURGERY DEVICE CONNECTOR | 108 |
| 9-WAY MEDICAL D-SUB CONNECTOR SYSTEM | 109 |
| MOULDED CABLE STRAIN RELIEF | 110 |

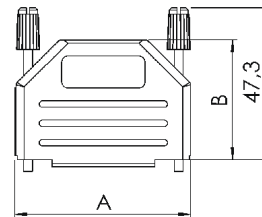
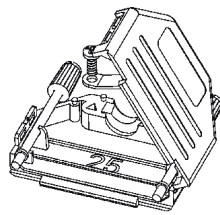


| SERIES | DPPK | DTPPK | DVPK | DPPK-2 | DSPK-SL | DAPK |
|--------------------------------|-------------|---------------|---------------|---------------|---------------|---------------|
| SHELL SIZES | 9/15/25/37 | 9/15/25/37 | 9/15/25/37 | 9/25 | 9/15/25/37 | 15/25 |
| STANDARD MATERIAL | POLYAMIDE | POLYCARBONATE | POLYCARBONATE | POLYCARBONATE | POLYCARBONATE | POLYCARBONATE |
| CONNECTOR APPLICATIONS | | | | | | |
| D-SUB SOLDER CONNECTOR | YES | YES | YES | YES | YES | YES |
| D-SUB CRIMP CONNECTOR | YES | YES | YES | YES | YES | YES |
| D-SUB MIXED LAYOUT CONNECTOR | YES | YES | YES | YES | YES | YES |
| D-SUB FLAT CABLE IDC CONNECTOR | NO | NO | NO | NO | YES | YES |
| CABLE APPLICATIONS | | | | | | |
| ROUND CABLE | YES | YES | YES | YES | YES | ADAPTER |
| FLAT ROUND CABLE | YES | YES | YES | YES | YES | ADAPTER |
| FLAT CABLE | NO | NO | NO | NO | NO | ADAPTER |
| FEATURES | | | | | | |
| UL COMPLIANCE | UL94 V2 | UL94 V0 | UL94 V0 | UL94 V0 | UL94 V0 | UL94 V0 |
| ROHS | YES | YES | YES | YES | YES | YES |
| REACH | YES | YES | YES | YES | YES | YES |
| PFOA / PFOB FREE | YES | YES | YES | YES | YES | YES |
| HALOGEN FREE | YES | YES | YES | YES | YES | YES |
| TERMINATION | CABLE CLAMP | CABLE INSERTS | CABLE INSERTS | CABLE CLAMP | CABLE INSERTS | N.A. |
| CABLE OUTLET | 180° | 180° | 45° | 180° | 90° | N.A. |
| CABLE BOOT | YES | NO | NO | NO | NO | N.A. |
| LOCKING DEVICES | | | | | | |
| LONG JACK SCREWS | YES | YES | YES | YES | NO | YES |
| SLIDE LOCK | NO | NO | NO | NO | YES | NO |
| SHORT LOCKING SCREWS | NO | NO | NO | NO | NO | YES |

D-Sub Backshells DPPK-Series

TECHNICAL SPECIFICATIONS

| | |
|----------------------|--|
| Material: | Nylon UL94 V2 |
| Temp. range: | -55°C - 105°C |
| Cable strain relief: | Cable clamp with self-tapping screws |
| Cable diameter: | 3.0 - 11.0 mm |
| Locking screws: | Long jackscrews with moulded top for colour coding |
| Locking force: | ≤300 N |
| Cable outlet: | Straight |



| TYPE | A | B |
|--------|------|------|
| DPPK9 | 32,4 | 31,3 |
| DPPK15 | 40,7 | 30,8 |
| DPPK25 | 54,4 | 37,3 |
| DPPK37 | 70,9 | 36 |

PART NUMBERING SYSTEM

DPPK25 - M2.6 - RED - K

Series: _____
 DPPK
 Size: _____
 9, 15, 25 or 37
 Thread (jackscrew): _____
 Omit = UNC 4-40
 M2.5
 M2.6
 M3.0

Packaging:
 K = Kit package
 BULK = Bulk package / 100 pcs
 Colour:
 Omit = Black
 Other colours available: beige, blue, brown, green, grey, ivory, red, white and yellow

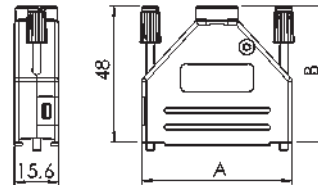
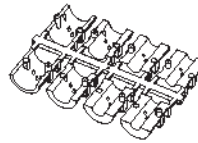
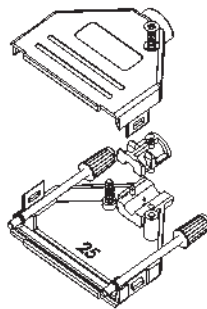
FEATURES

- Available in sizes 9, 15, 25 and 37
- Hinged single piece moulding with retaining latches
- Light weight and cost effective
- Compact and attractive design
- Company logotype available upon request
- Long jackscrews with UNC 4-40 thread as standard, M2.5, M2.6 or M3.0 as option
- For custom designed solutions, please consult factory

D-Sub Backshells DTPPK-Series

TECHNICAL SPECIFICATIONS

| | |
|----------------------|---|
| Material: | Polycarbonate UL94 V0 |
| Temp. range: | -55°C - 105°C |
| Cable strain relief: | Grommets 4, 5, 7 and 9 mm, Polycarbonate UL94 V0 |
| Cable diameter: | 3.0 - 13.0 mm |
| Locking screws: | Long jackscrews with moulded plastic knob for colour coding. UNC4-40 as standard. M2.5, M2.6 and M3.0 are optional |
| Cable outlet: | Straight |



| TYPE | A | B |
|---------|------|------|
| DTPPK9 | 31 | 38,3 |
| DTPPK15 | 39,3 | 40,5 |
| DTPPK25 | 53 | 47,8 |
| DTPPK37 | 69,5 | 52,2 |

PART NUMBERING SYSTEM

DTPPK25 - M2.6 - RED - K

Series: DTPPK
 Size: 9, 15, 25 or 37
 Thread (jackscrew):
 Omit = UNC 4-40
 M2.5
 M2.6
 M3.0

Packaging:
 K = Kit package
 BULK = Bulk package / 100 pcs
 Colour:
 Omit = Black
 Other colours available: beige, blue, brown, green, grey, ivory, red, white and yellow

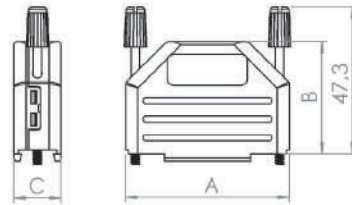
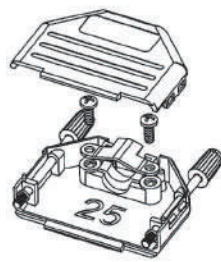
FEATURES

- Available in sizes 9, 15, 25 and 37
- Light weight and cost effective
- Compact and attractive design
- Re-openable
- Company logotype available upon request
- Long jackscrews with UNC 4-40 thread as standard, M2.5, M2.6 or M3.0 are optional
- For custom designed solutions, please consult factory

D-Sub Backshells DPPK-2 Series

TECHNICAL SPECIFICATIONS

| | |
|----------------------|--|
| Material: | Polycarbonate UL94 V0 |
| Temp. range: | -55°C - 105°C |
| Cable strain relief: | Cable clamp with self-tapping screws |
| Cable diameter: | 3.0 - 11,0 mm |
| Locking screws: | Long jackscrews with moulded top for colour coding |
| Cable outlet: | Straight |



| TYPE | A | B | C |
|----------|------|------|------|
| DPPK9-2 | 32,4 | 31,2 | 16 |
| DPPK25-2 | 53,4 | 36,4 | 15,4 |

PART NUMBERING SYSTEM

DPPK-2-25 - M2.6 - RED - K

Series: _____
 DPPK-2
 Size: _____
 9 and 25
 Thread (jackscrew): _____
 Omit = UNC 4-40
 M2.5
 M2.6
 M3.0

Packaging:
 K = Kit package
 BULK = Bulk package / 100 pcs
 Colour:
 Omit = Black
 Other colours available: beige, blue, brown, green, grey, ivory, red, white and yellow

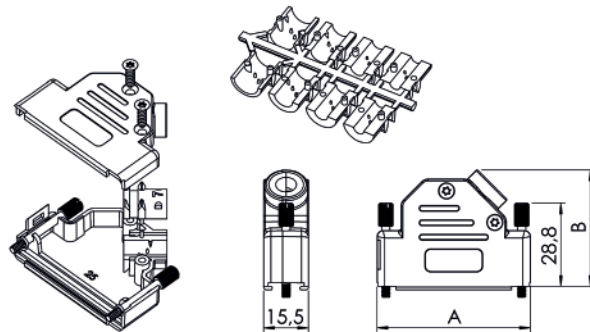
FEATURES

- Available in sizes 9- and 25-way
- Retained jackscrews
- Light weight and cost effective
- Compact and attractive design
- Company logotype available upon request
- Long jackscrews with UNC 4-40 thread as standard, M2.5, M2.6 or M3.0 as option
- For custom designed solutions, please consult factory

D-Sub Backshells DVPK-Series

TECHNICAL SPECIFICATIONS

| | |
|----------------------|--|
| Material: | Polycarbonate, PC UL94 V0 |
| Temp. range: | -55°C - 105°C |
| Cable strain relief: | Polycarbonate UL94 V0 |
| Cable diameter: | 3.0 - 13.0 mm |
| Locking screws: | Long jackscrews with moulded top for colour coding |
| Assembly screws: | Thread forming |
| Cable outlet: | 45° |



| TYPE | A | B |
|--------|------|------|
| DVPK9 | 31 | 36,2 |
| DVPK15 | 39,3 | 40,2 |
| DVPK25 | 53 | 40,2 |
| DVPK37 | 69,5 | 40,2 |

PART NUMBERING SYSTEM

DVPK25 - M2.6 - RED - K

Series: _____
DVPK
Size: _____
9, 15, 25 or 37
Thread (jackscrew): _____
Omit = UNC 4-40
M2.5
M2.6
M3.0

Packaging:
K = Kit package
BULK = Bulk package / 100 pcs
Colour:
Omit = Black
Other colours available: beige, blue,
brown, green, grey, ivory, red, white
and yellow

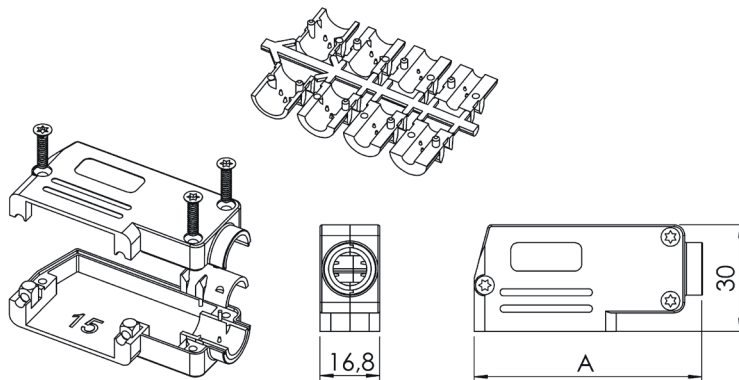
FEATURES

- Available in sizes 9, 15, 25 and 37
- Light weight and cost effective
- Compact and attractive design
- Suitable for high-integrity data links
- No special assembly tools required
- Moulded logotype available upon request
- Long jackscrews with UNC 4-40 thread as standard, M2.5, M2.6 or M3.0 as option
- For custom designed solutions, please consult factory

D-Sub Backshells DSPK-SL-Series

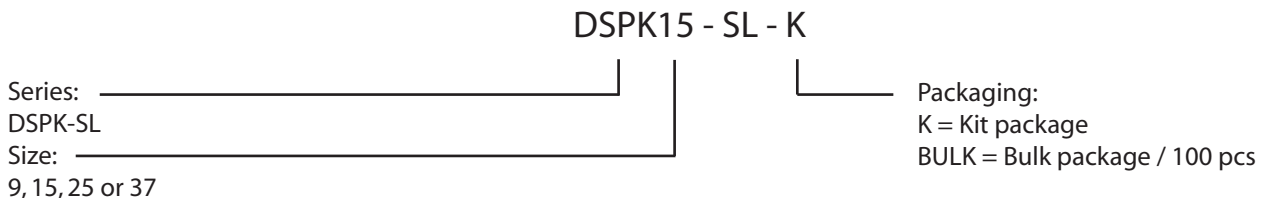
TECHNICAL SPECIFICATIONS

| | |
|----------------------|---|
| Material: | Polycarbonate, PC UL94 V0 |
| Temp. range: | -55°C - 105°C |
| Cable strain relief: | Polycarbonate, PC UL94 V0 |
| Cable diameter: | 3.0 - 13.0 mm |
| Locking screws: | Integrated UNC 4-40 threads for slidelock or panel assembly |
| Assembly screws: | Thread forming |
| Cable outlet: | Side |



| TYPE | A |
|-----------|------|
| DSPK9-SL | 56,3 |
| DSPK15-SL | 64,3 |
| DSPK25-SL | 78,3 |
| DSPK37-SL | 94,7 |

PART NUMBERING SYSTEM



FEATURES

- Available in sizes 9, 15, 25 and 37
- Light weight and cost effective
- Measures 30 mm high for tight spaces
- Suitable for high-integrity data links
- No special assembly tools required
- Moulded logotype available upon request
- Integrated UNC 4-40 threads for slidelock or panel assembly
- For custom designed solutions, please consult factory



| SERIES | DTZK | DVZK | DTPMK | DVPMK | DTZK-CZA | DTZK-CZAK |
|--------------------------------|---------------|---------------|--------------|--------------|---------------|---------------|
| SHELL SIZES | 9/15/25/37/50 | 9/15/25/37/50 | 9/15/25/37 | 9/15/25/37 | 9/15/25/37/50 | 9/15/25/37/50 |
| STANDARD MATERIAL | ZINC | ZINC | MET. PLASTIC | MET. PLASTIC | ZINC | ZINC |
| CONNECTOR APPLICATIONS | | | | | | |
| D-SUB SOLDER CONNECTOR | YES | YES | YES | YES | YES | YES |
| D-SUB CRIMP CONNECTOR | YES | YES | YES | YES | YES | YES |
| D-SUB MIXED LAYOUT CONNECTOR | YES | YES | YES | YES | YES | YES |
| D-SUB FLAT CABLE IDC CONNECTOR | NO | NO | NO | NO | NO | NO |
| CABLE APPLICATIONS | | | | | | |
| ROUND CABLE | YES | YES | YES | YES | YES | YES |
| FLAT ROUND CABLE | YES | YES | YES | YES | YES | YES |
| FLAT CABLE | NO | NO | NO | NO | NO | NO |
| FEATURES | | | | | | |
| UL COMPLIANCE | UL94 V0 | UL94 V0 | UL94 V2 | UL94 V2 | UL94 V0 | UL94 V0 |
| ROHS | YES | YES | YES | YES | YES | YES |
| REACH | YES | YES | YES | YES | YES | YES |
| PFOA / PFOB FREE | YES | YES | YES | YES | YES | YES |
| HALOGEN FREE | YES | YES | YES | YES | YES | YES |
| TERMINATION | SHIELD CLAMP | SHIELD CLAMP | SHIELD CLAMP | SHIELD CLAMP | CRIMP FERRULE | CRIMP FERRULE |
| CABLE OUTLET | 180° | 45° | 180° | 45° | 180° | 180° |
| CABLE BOOT | NO | NO | NO | NO | NO | NO |
| LOCKING DEVICES | | | | | | |
| LONG JACK SCREWS | YES | YES | YES | YES | YES | YES |
| SLIDE LOCK | NO | NO | NO | NO | NO | NO |
| SHORT LOCKING SCREWS | NO | NO | NO | NO | NO | NO |



| SERIES | DVZK-CZA | DVZK-CZAK | DTNMK | DVNMK | DVZK-SL | DVZK-W |
|--------------------------------|---------------|---------------|---------------|---------------|--------------|--------------|
| SHELL SIZES | 9/15/25/37/50 | 9/15/25/37/50 | 9/15/25/37/50 | 9/15/25/37/50 | 9/15/25/37 | 9/15/25/37 |
| STANDARD MATERIAL | ZINC | ZINC | ZINC | ZINC | ZINC | ZINC |
| CONNECTOR APPLICATIONS | | | | | | |
| D-SUB SOLDER CONNECTOR | YES | YES | YES | YES | YES | YES |
| D-SUB CRIMP CONNECTOR | YES | YES | YES | YES | YES | YES |
| D-SUB MIXED LAYOUT CONNECTOR | YES | YES | YES | YES | YES | YES |
| D-SUB FLAT CABLE IDC CONNECTOR | NO | NO | NO | NO | NO | NO |
| CABLE APPLICATIONS | | | | | | |
| ROUND CABLE | YES | YES | YES | YES | YES | YES |
| FLAT ROUND CABLE | YES | YES | YES | YES | YES | YES |
| FLAT CABLE | NO | NO | NO | NO | NO | NO |
| FEATURES | | | | | | |
| UL COMPLIANCE | UL94 V0 | UL94 V0 | UL94 V0 | UL94 V0 | UL94 V0 | UL94 V0 |
| ROHS | YES | YES | YES | YES | YES | YES |
| REACH | YES | YES | YES | YES | YES | YES |
| PFOA / PFOB FREE | YES | YES | YES | YES | YES | YES |
| HALOGEN FREE | YES | YES | YES | YES | YES | YES |
| TERMINATION | CABLE FERRULE | CABLE FERRULE | SHIELD CLAMP | SHIELD CLAMP | SHIELD CLAMP | SHIELD CLAMP |
| CABLE OUTLET | 45° | 45° | 180° | 45° | 45° | 45° |
| CABLE BOOT | NO | NO | NO | NO | NO | NO |
| LOCKING DEVICES | | | | | | |
| LONG JACK SCREWS | YES | YES | YES | YES | NO | YES |
| SLIDE LOCK | NO | NO | NO | NO | YES | NO |
| SHORT LOCKING SCREWS | NO | NO | NO | NO | NO | NO |



| SERIES | DMTZK | DMTZK-SL | DMVZK | DMVZK-SL | DSZK | DSZK-SL |
|--------------------------------|-------------|-------------|-------------|-------------|--------------|--------------|
| SHELL SIZES | 9/15 | 9/15 | 9/15 | 9/15 | 9/15 | 15/25 |
| STANDARD MATERIAL | ZINC | ZINC | ZINC | ZINC | ZINC | ZINC |
| CONNECTOR APPLICATIONS | | | | | | |
| D-SUB SOLDER CONNECTOR | YES | YES | YES | YES | YES | YES |
| D-SUB CRIMP CONNECTOR | YES | YES | YES | YES | YES | YES |
| D-SUB MIXED LAYOUT CONNECTOR | YES | YES | YES | YES | YES | YES |
| D-SUB FLAT CABLE IDC CONNECTOR | NO | NO | NO | NO | NO | NO |
| CABLE APPLICATIONS | | | | | | |
| ROUND CABLE | YES | YES | YES | YES | YES | YES |
| FLAT ROUND CABLE | YES | YES | YES | YES | YES | YES |
| FLAT CABLE | NO | NO | NO | NO | NO | NO |
| FEATURES | | | | | | |
| UL COMPLIANCE | UL94 V0 | UL94 V0 | UL94 V0 | UL94 V0 | UL94 V0 | UL94 V0 |
| ROHS | YES | YES | YES | YES | YES | YES |
| REACH | YES | YES | YES | YES | YES | YES |
| PFOA / PFOB FREE | YES | YES | YES | YES | YES | YES |
| HALOGEN FREE | YES | YES | YES | YES | YES | YES |
| TERMINATION | CABLE CLAMP | CABLE CLAMP | CABLE CLAMP | CABLE CLAMP | SHIELD CLAMP | SHIELD CLAMP |
| CABLE OUTLET | 180° | 180° | 45° | 45° | 90° | 90° |
| CABLE BOOT | YES | YES | YES | YES | NO | NO |
| LOCKING DEVICES | | | | | | |
| LONG JACK SCREWS | YES | NO | YES | NO | YES | NO |
| SLIDE LOCK | NO | YES | NO | YES | NO | YES |
| SHORT LOCKING SCREWS | YES | NO | YES | NO | NO | NO |

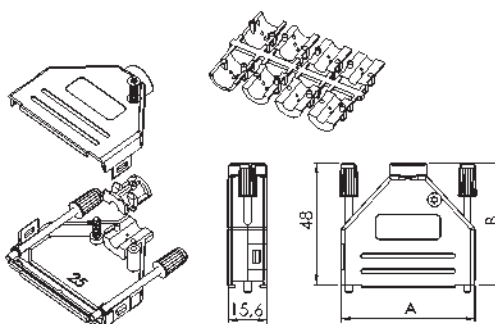


| SERIES | DTZK-JSS | DVZK-JSS | DSZK-CZA | DSVZK | DSK-SL | DTK |
|--------------------------------|---------------|---------------|---------------|--------------|---------------|-------------------|
| SHELL SIZES | 9/15/25/37/50 | 9/15/25/37/50 | 9/15 | 15 | 9/15/25/37* | 9/15/25/37* |
| STANDARD MATERIAL | ZINC | ZINC | ZINC | ZINC | POLYCARBONATE | PA 9/15/37 PC 25 |
| CONNECTOR APPLICATIONS | | | | | | |
| SUB-D SOLDER CONNECTOR | YES | YES | YES | YES | YES | YES |
| SUB-D CRIMP CONNECTOR | YES | YES | YES | YES | YES | YES |
| SUB-D MIXED LAYOUT CONNECTOR | YES | YES | YES | YES | YES | YES |
| SUB-D FLAT CABLE IDC CONNECTOR | NO | NO | NO | NO | YES | YES |
| CABLE APPLICATIONS | | | | | | |
| ROUND CABLE | YES | YES | YES | YES | YES | YES |
| FLAT ROUND CABLE | YES | YES | YES | YES | YES | YES |
| FLAT CABLE | NO | NO | NO | NO | NO | NO |
| FEATURES | | | | | | |
| UL COMPLIANCE | UL94 V0 | UL94 V0 | UL94 V0 | UL94 V0 | UL94 V0 | UL94 V0 / UL94 V2 |
| ROHS | YES | YES | YES | YES | YES | YES |
| REACH | YES | YES | YES | YES | YES | YES |
| PFOA / PFOB FREE | YES | YES | YES | YES | YES | YES |
| HALOGEN FREE | YES | YES | YES | YES | YES | YES |
| TERMINATION | SHIELD CLAMP | SHIELD CLAMP | CRIMP FERRULE | SHIELD CLAMP | CRIMP FERRULE | CRIMP FERRULE |
| CABLE OUTLET | 180° | 45° | 90° | 90°/45° | 90° | 180° |
| CABLE BOOT | NO | NO | NO | NO | NO | NO |
| LOCKING DEVICES | | | | | | |
| LONG JACKSCREWS | YES | YES | YES | YES | NO | YES |
| SLIDE LOCK | NO | NO | NO | NO | YES | NO |
| SHORT LOCKING SCREWS | NO | NO | NO | NO | NO | NO |

Shielded D-Sub Backshells DTPMK Series

TECHNICAL SPECIFICATIONS

| | |
|----------------------|--|
| Material: | ABS Plastic, Ni-plated |
| Temp. range: | -40°C - 110°C |
| Cable strain relief: | Polycarbonate, PC UL94 V0 |
| Cable diameter: | 3.0 - 13.0 mm |
| Locking screws: | Long jackscrews with moulded top for colour coding |
| Cable outlet: | Straight |
| Attenuation factor: | > 40 dB between 30 MHz and 1 GHz |



| TYPE | A | B |
|---------|------|------|
| DTPMK9 | 31 | 38.3 |
| DTPMK15 | 39.3 | 40.5 |
| DTPMK25 | 53 | 47.8 |
| DTPMK37 | 69.5 | 52.2 |

PART NUMBERING SYSTEM

DTPMK25 - - RED - K

Series: _____
DTPMK
Size: _____
9, 15, 25 or 37
Thread (jackscrew): _____
Omit = UNC 4-40
M2.5
M2.6
M3.0

Packaging:
K = Kit package
BULK = Bulk package / 100 pcs
Colour (jackscrew):
Omit = Black
Other colours available: beige, blue, brown,
green, grey, ivory, red, white and yellow

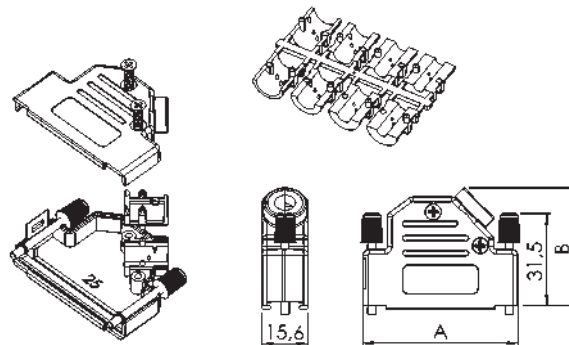
FEATURES

- Available in sizes 9, 15, 25 and 37
- Minimise interference from electromagnetic and RF sources
- Non-static parts avoid ESD problems
- Accept round foil and braided cable types
- Approved according VDE 0871, FCC 20780 and 89/336/EU
- Company logotype available upon request
- Long jackscrews with UNC 4-40 thread as standard, M2.5, M2.6 or M3.0 as option
- For custom designed solutions, please consult factory

Shielded D-Sub Backshells DVPMK Series

TECHNICAL SPECIFICATIONS

| | |
|----------------------|--|
| Material: | ABS Plastic, Ni-plated |
| Temp. range: | -40°C - 110°C |
| Cable strain relief: | Polycarbonate, PC UL94 V0 |
| Cable diameter: | 3.0 - 13.0 mm |
| Locking screws: | Long jackscrews with moulded top for colour coding |
| Cable outlet: | Angled |
| Attenuation factor: | > 40 dB between 30 MHz and 1 GHz |



| TYPE | A | B |
|---------|------|------|
| DVPMK9 | 31 | 36,2 |
| DVPMK15 | 39,3 | 40,2 |
| DVPMK25 | 53 | 40,2 |
| DVPMK37 | 69,5 | 40,2 |

PART NUMBERING SYSTEM

DVPMK25 - - RED - K

Series: _____
 DVPMK
 Size: _____
 9, 15, 25 or 37
 Thread (jackscrew): _____
 Omit = UNC 4-40
 M2.5
 M2.6
 M3.0

Packaging:
 K = Kit package
 BULK = Bulk package / 100 pcs
 Colour (jackscrew):
 Omit = Black
 Other colours available: beige,
 blue, brown, green, grey, ivory,
 red, white and yellow

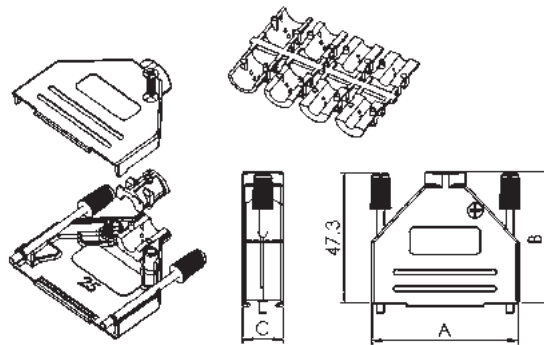
FEATURES

- Available in sizes 9, 15, 25 and 37
- Minimise interference from electromagnetic and RF sources
- Non-static parts avoid ESD problems
- Accept round foil and braided cable types
- Approved according VDE 0871, FCC 20780 and 89/336/EU
- Company logotype available upon request
- Long jackscrews with UNC 4-40 thread as standard, M2.5, M2.6 or M3.0 as option
- For custom designed solutions, please consult factory

Shielded D-Sub Backshells DTZK Series

TECHNICAL SPECIFICATIONS

| | |
|----------------------|--|
| Material: | Zinc, Ni-plated |
| Temp. range: | -40°C - 120°C |
| Cable strain relief: | Polycarbonate, PC UL94 V0 |
| Cable diameter: | 3.0 - 13.0 mm <17.0 mm DTZK50 |
| Locking screws: | Long jackscrews with moulded top for colour coding |
| Assembly screws: | Taptite thread forming |
| Cable outlet: | Straight |
| Attenuation factor: | > 40 dB between 30 MHz and 1 GHz |



| TYPE | A | B | C |
|--------|------|------|------|
| DTZK9 | 31 | 38,3 | 14,6 |
| DTZK15 | 39,5 | 40,5 | 14,6 |
| DTZK25 | 53,2 | 47,3 | 14,6 |
| DTZK37 | 70,9 | 52,2 | 14,6 |
| DTZK50 | 87,3 | 52,1 | 17,4 |

PART NUMBERING SYSTEM

Series: _____
DTZK
Size: _____
9, 15, 25, 37 and 50
Thread (jackscrew): _____
Omit = UNC 4-40
M2.5
M2.6
M3.0

DTZK25 - - RED - K

Packaging:
K = Kit package
BULK = Bulk package / 100 pcs
Colour (jackscrew):
Omit = Black
Other colours available: beige, blue,
brown, green, ivory, red, white and yellow

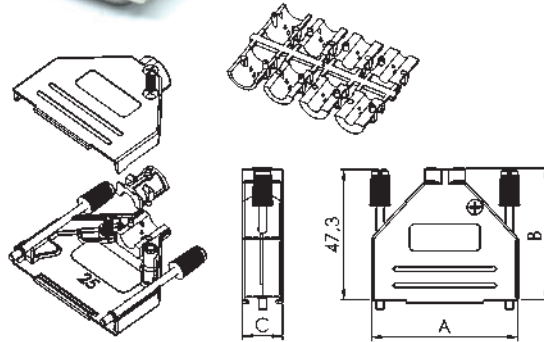
FEATURES

- Available in sizes 9, 15, 25, 37 and 50
- Minimise interference from electromagnetic and RF sources
- Non-static parts avoid ESD problems
- Accept round foil and braided cable types
- No special assembly tools required
- Printed logotype available upon request
- Long jackscrews with UNC 4-40 thread as standard, M2.5, M2.6 or M3.0 as option
- For custom designed solutions, please consult factory

Shielded D-Sub Backshells DTZK-JSS Series

TECHNICAL SPECIFICATIONS

| | |
|----------------------|---|
| Material: | Zinc, Ni-plated |
| Temp. range: | -40°C - 120°C |
| Cable strain relief: | Polycarbonate, PC UL94 V0 |
| Cable diameter: | 4.0 - 13.0 mm <17.0 mm DTZK50 |
| Locking screws: | Long jackscrews with groove for thread indication |
| Assembly screws: | Taptite thread forming |
| Cable outlet: | Straight |
| Attenuation factor: | > 40 dB between 30 MHz and 1 GHz |



| TYPE | A | B | C |
|--------|------|------|------|
| DTZK9 | 31 | 38,3 | 14,6 |
| DTZK15 | 39,5 | 40,5 | 14,6 |
| DTZK25 | 53,2 | 47,3 | 14,6 |
| DTZK37 | 70,9 | 52,2 | 14,6 |
| DTZK50 | 67,3 | 52,1 | 17,4 |

PART NUMBERING SYSTEM

DTZK25 - JSS - M3.0 - K

Series: _____
DTZK-JSS
Size: _____
9, 15, 25, 37 and 50
Jackscrew: _____
Solid metal

Packaging:
K = Kit package
BULK = Bulk package / 100 pcs
Thread (jackscrew):
Omit= UNC4-40
M2.5
M2.6
M3.0

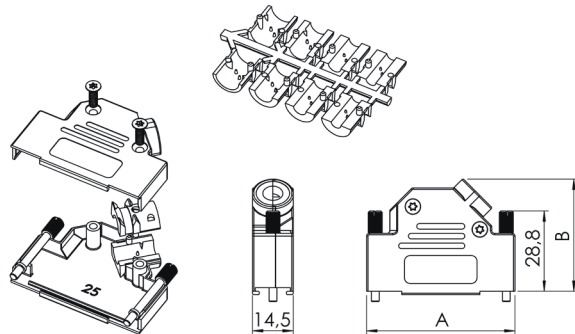
FEATURES

- Available in sizes 9, 15, 25, 37 and 50
- Minimise interference from electromagnetic and RF sources
- Non-static parts avoid ESD problems
- Accept round foil and braided cable types
- No special assembly tools required
- Printed logotype available upon request
- Long jackscrews with UNC 4-40 thread as standard, M2.5, M2.6 or M3.0 as option
- For custom designed solutions, please consult factory

Shielded D-Sub Backshells DVZK Series

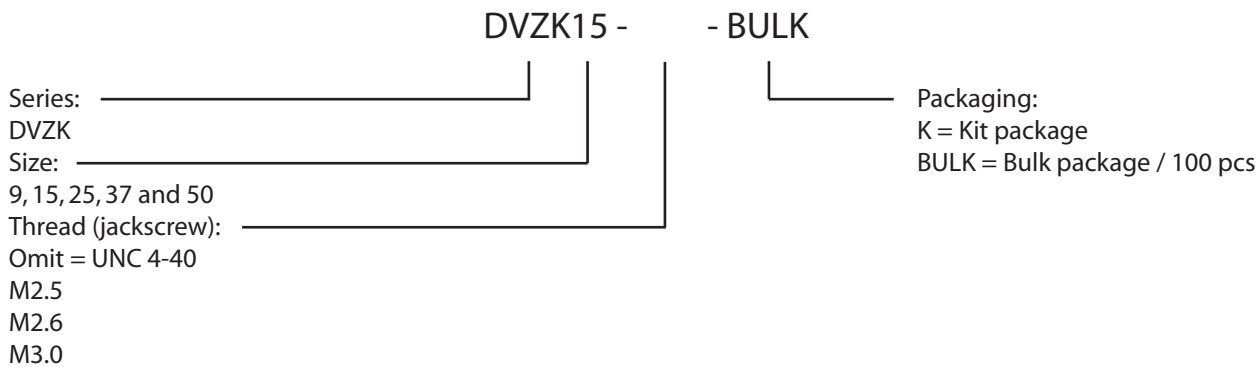
TECHNICAL SPECIFICATIONS

| | |
|----------------------|--|
| Material: | Zinc, Ni-plated |
| Temp. range: | -40°C - 120°C |
| Cable strain relief: | Polycarbonate PC UL94 V0 |
| Cable diameter: | 3.0 - 13.0 mm <17.0 mm DVZK50 |
| Locking screws: | Long jackscrews with moulded top for colour coding |
| Assembly screws: | Taptite thread forming |
| Cable outlet: | Angled |
| Attenuation factor: | > 40 dB between 30 MHz and 1 GHz |



| TYPE | A | B |
|--------|------|------|
| DVZK9 | 31 | 36,2 |
| DVZK15 | 39,5 | 40,2 |
| DVZK25 | 53,2 | 40,2 |
| DVZK37 | 69,7 | 40,2 |
| DVZK50 | 67,2 | 43,7 |

PART NUMBERING SYSTEM



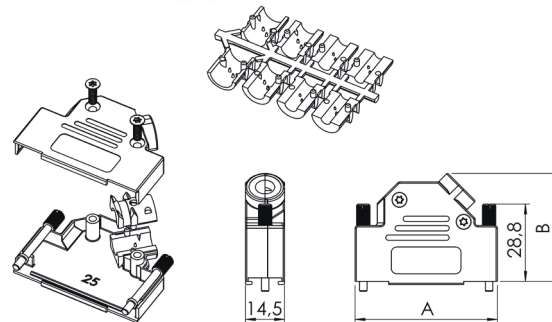
FEATURES

- Available in sizes 9, 15, 25, 37 and 50
- Minimise interference from electromagnetic and RF sources
- Non-static parts avoid ESD problems
- Accept round foil and braided cable types
- Approved according VDE 0871, FCC 20780 and 89/336/EU
- Printed logotype available upon request
- Long jackscrews with UNC 4-40 thread as standard, M2.5, M2.6 or M3.0 as option
- For custom designed solutions, please consult factory

Shielded D-Sub Backshells DVZK-JSS Series

TECHNICAL SPECIFICATIONS

| | |
|----------------------|---|
| Material: | Zinc, Ni-plated |
| Temp. range: | -40°C - 120°C |
| Cable strain relief: | Polycarbonate, PC UL94 V0 |
| Cable diameter: | 4.0 - 13.0 mm <17.0 mm DVZK50 |
| Locking screws: | Long jackscrews with groove for thread indication |
| Assembly screws: | Taptite thread forming |
| Cable outlet: | Angled |
| Attenuation factor: | > 40 dB between 30 MHz and 1 GHz |



| TYPE | A | B |
|--------|------|------|
| DVZK9 | 31 | 36,2 |
| DVZK15 | 39,5 | 40,2 |
| DVZK25 | 53,2 | 40,2 |
| DVZK37 | 69,7 | 40,2 |
| DVZK50 | 67,2 | 43,7 |

PART NUMBERING SYSTEM

DVZK37 - JSS - M3.0 - K

Series: _____
DVZK-JSS
Size: _____
9, 15, 25, 37 and 50
Jackscrew: _____
Solid metal

Packaging:
K = Kit package
BULK = Bulk package / 100 pcs
Thread (jackscrew):
Omit= UNC4-40
M2.5
M2.6
M3.0

FEATURES

- Available in sizes 9, 15, 25, 37 and 50
- Minimise interference from electromagnetic and RF sources
- Non-static parts avoid ESD problems
- Accept round foil and braided cable types
- No special assembly tools required
- Printed logotype available upon request
- Long jackscrews with UNC 4-40 thread as standard, M2.5, M2.6 or M3.0 as option
- For custom designed solutions, please consult factory

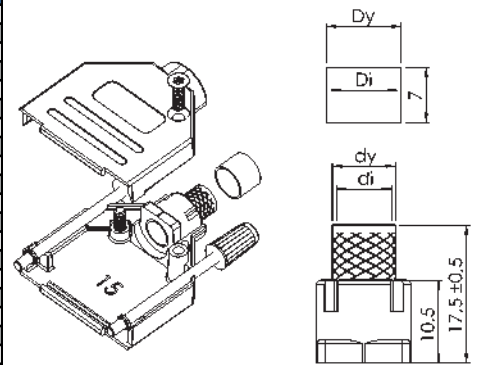
Shielded D-Sub Backshells DTZK-CZA Series

TECHNICAL SPECIFICATIONS

| | |
|----------------------|---|
| Material: | Zinc, Ni-plated |
| Temp. range: | -40°C - 120°C |
| Cable strain relief: | Outer crimp ferrule with separate inner cable ferrule |
| Cable diameter: | 3.0 - 12.0 mm |
| Locking screws: | Long jackscrews with moulded top for colour coding |
| Assembly screws: | Taptite thread forming |
| Cable outlet: | Top |
| Attenuation factor: | > 40 dB between 30 MHz and 1 GHz |



| CABLE FERRULE | | | CRIMP FERRULE | | |
|---------------|---------|---------|---------------|---------|---------|
| Part Number | di (mm) | dy (mm) | Part Number | Di (mm) | Dy (mm) |
| CZA-2.6-D5 | 2.6 | 3.6 | CZA-CF-4.5 | 4.5 | 5.5 |
| CZA-3-D5 | 3 | 4 | CZA-CF-5 | 5 | 6 |
| CZA-3.25-D5 | 3.25 | 4.25 | CZA-CF-5.5 | 5.5 | 6.5 |
| CZA-3.5-D5 | 3.5 | 4.5 | CZA-CF-6 | 6 | 7 |
| CZA-3.75-D5 | 3.75 | 4.75 | CZA-CF-6.5 | 6.5 | 7.5 |
| CZA-4-D5 | 4 | 5 | CZA-CF-7 | 7 | 8 |
| CZA-4.5-D5 | 4.5 | 5.5 | CZA-CF-7.5 | 7.5 | 8.5 |
| CZA-5-D5 | 5 | 6 | CZA-CF-8 | 8 | 9 |
| CZA-5.5-D5 | 5.5 | 6.5 | CZA-CF-8.5 | 8.5 | 9.5 |
| CZA-6-D5 | 6 | 7 | CZA-CF-9 | 9 | 10 |
| CZA-6.5 | 6.5 | 7.5 | CZA-CF-9.5 | 9.5 | 10.5 |
| CZA-7-D5 | 7 | 8 | CZA-CF-10 | 10 | 11 |
| CZA-7.5-D5 | 7.5 | 8.5 | CZA-CF-10.5 | 10.5 | 11.5 |
| CZA-8-D5 | 8 | 9 | CZA-CF-11 | 11 | 12 |
| CZA-8.5-D5 | 8.5 | 9.5 | CZA-CF-11.5 | 11.5 | 12.5 |
| CZA-9-D5 | 9 | 10 | CZA-CF-12 | 12 | 13 |
| CZA-9.5-D5 | 9.5 | 10.0 | CZA-CF-12.5 | 12.5 | 13.5 |
| | | | CZA-CF-13 | 13 | 14 |
| | | | CZA-CF-13.5 | 13.5 | 14.5 |
| | | | CZA-CF-14 | 14 | 15 |



PART NUMBERING SYSTEM

DTZK25 - CZA3-CF6 - - K

Series: _____
 DTZK-CZA
 Size: _____
 9, 15, 25, 37 or 50
 Cable ferrule: _____
 Measure outer cable diameter and diameter of braid to combine cable - and crimp ferrule

Packaging:
 K = Kit package
 BULK = Bulk package / 100 pcs
 Thread (jackscrew):
 Omit = UNC4-40
 M2.5
 M2.6
 M3.0

FEATURES

- Available in sizes 9, 15, 25, 37 and 50
- Minimise interference from electromagnetic and RF sources
- Meets VDE 0871, FCC 20780 and 89/336/EEC
- Non-static parts avoid ESD problems
- Accept round foil and braided cable types
- Printed logotype available upon request
- Long jackscrews with UNC 4-40 thread as standard, M2.5, M2.6 or M3.0 as option
- For custom designed solutions, please consult factory

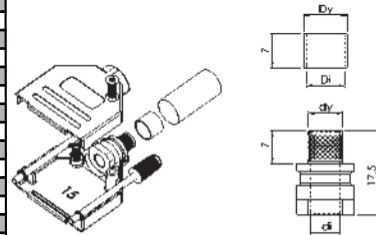
Shielded D-Sub Backshells DTZK-CZAK Series

TECHNICAL SPECIFICATIONS

| | |
|----------------------|--|
| Material: | Zinc, Ni-plated |
| Temp. range: | -40°C - 120°C |
| Cable strain relief: | Outer crimp ferrule with separate inner cable ferrule and heat shrink sleeve |
| Cable diameter: | 4.0 - 12.0 mm |
| Locking screws: | Long jackscrews with moulded top for colour coding |
| Assembly screws: | Taptite thread forming |
| Cable outlet: | Top |
| Attenuation factor: | > 40 dB between 30 MHz and 1 GHz |



| CABLE FERRULE | | | CRIMP FERRULE | | | HEAT SHRINK SLEEVE |
|---------------|---------|---------|---------------|---------|---------|--------------------|
| Part Number | di (mm) | dy (mm) | Part Number | Di (mm) | Dy (mm) | |
| CZA-2.6-D5 | 2.6 | 3.6 | CZA-CF-4.5 | 4.5 | 5.5 | CZA-D1-9 |
| CZA-3-D5 | 3 | 4 | CZA-CF-5 | 5 | 6 | CZA-D1-9 |
| CZA-3.25-D5 | 3.25 | 4.25 | CZA-CF-5.5 | 5.5 | 6.5 | CZA-D1-9 |
| CZA-3.5-D5 | 3.5 | 4.5 | CZA-CF-6 | 6 | 7 | CZA-D1-9 |
| CZA-3.75-D5 | 3.75 | 4.75 | CZA-CF-6.5 | 6.5 | 7.5 | CZA-D1-9 |
| CZA-4-D5 | 4 | 5 | CZA-CF-7 | 7 | 8 | CZA-D1-13 |
| CZA-4.5-D5 | 4.5 | 5.5 | CZA-CF-7.5 | 7.5 | 8.5 | CZA-D1-13 |
| CZA-5-D5 | 5 | 6 | CZA-CF-8 | 8 | 9 | CZA-D1-13 |
| CZA-5.5-D5 | 5.5 | 6.5 | CZA-CF-8.5 | 8.5 | 9.5 | CZA-D1-13 |
| CZA-6-D5 | 6 | 7 | CZA-CF-9 | 9 | 10 | CZA-D1-13 |
| CZA-6.5 | 6.5 | 7.5 | CZA-CF-9.5 | 9.5 | 10.5 | CZA-D1-13 |
| CZA-7-D5 | 7 | 8 | CZA-CF-10 | 10 | 11 | CZA-D1-13 |
| CZA-7.5-D5 | 7.5 | 8.5 | CZA-CF-10.5 | 10.5 | 11.5 | CZA-D1-13 |
| CZA-8-D5 | 8 | 9 | CZA-CF-11 | 11 | 12 | CZA-D1-13 |
| CZA-8.5-D5 | 8.5 | 9.5 | CZA-CF-11.5 | 11.5 | 12.5 | CZA-D1-19 |
| CZA-9-D5 | 9 | 10 | CZA-CF-12 | 12 | 13 | CZA-D1-19 |
| CZA-9.5-D5 | 9.5 | 10.0 | CZA-CF-12.5 | 12.5 | 13.5 | CZA-D1-19 |
| | | | CZA-CF-13 | 13 | 14 | CZA-D1-19 |
| | | | CZA-CF-13.5 | 13.5 | 14.5 | CZA-D1-19 |
| | | | CZA-CF-14 | 14 | 15 | CZA-D1-19 |



PART NUMBERING SYSTEM

DTZK25 - CZA4 - CF7 - 9 - - K

Series: _____
 DTZK-CZAK
 Size: _____
 9, 15, 25, 37 or 50
 Cable ferrule: _____
 Measure diameter of
 stripped cable

Packaging:
 K = Kit package
 BULK = Bulk package / 100 pcs
 Thread (jackscrew):
 Omit = UNC4-40
 M2.5
 M2.6
 M3.0
 Heat shrink tube:
 9, 13 or 19 mm Ø
 Crimp ferrule:
 Measure cable outer diameter

FEATURES

- Available in sizes 9, 15, 25, 37 and 50
- Minimise interference from electromagnetic and RF sources
- Meets VDE 0871, FCC 20780 and 89/336/EEC
- Non-static parts avoid ESD problems
- Accept round foil and braided cable types
- Printed logotype available upon request
- Long jackscrews with UNC 4-40 thread as standard, M2.5, M2.6 or M3.0 as option
- For custom designed solutions, please consult factory

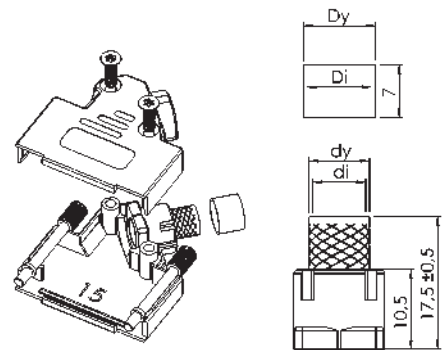
Shielded D-Sub Backshells DVZK-CZA Series

TECHNICAL SPECIFICATIONS

| | |
|----------------------|---|
| Material: | Zinc, Ni-plated |
| Temp. range: | -40°C - 120°C |
| Cable strain relief: | Outer crimp ferrule with separate inner cable ferrule |
| Cable diameter: | 4.0 - 12.0 mm |
| Locking screws: | Long jackscrews with moulded top for colour coding |
| Assembly screws: | Taptite thread forming |
| Cable outlet: | 45° |
| Attenuation factor: | > 40 dB between 30 MHz and 1 GHz |



| CABLE FERRULE | | | CRIMP FERRULE | | |
|---------------|---------|---------|---------------|---------|---------|
| Part Number | di (mm) | dy (mm) | Part Number | Di (mm) | Dy (mm) |
| CZA-2.6-D5 | 2.6 | 3.6 | CZA-CF-4.5 | 4.5 | 5.5 |
| CZA-3-D5 | 3 | 4 | CZA-CF-5 | 5 | 6 |
| CZA-3.25-D5 | 3.25 | 4.25 | CZA-CF-5.5 | 5.5 | 6.5 |
| CZA-3.5-D5 | 3.5 | 4.5 | CZA-CF-6 | 6 | 7 |
| CZA-3.75-D5 | 3.75 | 4.75 | CZA-CF-6.5 | 6.5 | 7.5 |
| CZA-4-D5 | 4 | 5 | CZA-CF-7 | 7 | 8 |
| CZA-4.5-D5 | 4.5 | 5.5 | CZA-CF-7.5 | 7.5 | 8.5 |
| CZA-5-D5 | 5 | 6 | CZA-CF-8 | 8 | 9 |
| CZA-5.5-D5 | 5.5 | 6.5 | CZA-CF-8.5 | 8.5 | 9.5 |
| CZA-6-D5 | 6 | 7 | CZA-CF-9 | 9 | 10 |
| CZA-6.5 | 6.5 | 7.5 | CZA-CF-9.5 | 9.5 | 10.5 |
| CZA-7-D5 | 7 | 8 | CZA-CF-10 | 10 | 11 |
| CZA-7.5-D5 | 7.5 | 8.5 | CZA-CF-10.5 | 10.5 | 11.5 |
| CZA-8-D5 | 8 | 9 | CZA-CF-11 | 11 | 12 |
| CZA-8.5-D5 | 8.5 | 9.5 | CZA-CF-11.5 | 11.5 | 12.5 |
| CZA-9-D5 | 9 | 10 | CZA-CF-12 | 12 | 13 |
| CZA-9.5-D5 | 9.5 | 10.0 | CZA-CF-12.5 | 12.5 | 13.5 |
| | | | CZA-CF-13 | 13 | 14 |
| | | | CZA-CF-13.5 | 13.5 | 14.5 |
| | | | CZA-CF-14 | 14 | 15 |



PART NUMBERING SYSTEM

DVZK15 - CZA4-CF7 - - K

Series: _____
 DVZK-CZA
 Size: _____
 9, 15, 25, 37 or 50
 Cable ferrule: _____
 Measure outer cable diameter and diameter of braid to combine cable - and crimp ferrule

Packaging:
 K = Kit package
 BULK = Bulk package / 100 pcs
 Thread (jackscrew):
 Omit = UNC4-40
 M2.5
 M2.6
 M3.0

FEATURES

- Available in sizes 9, 15, 25, 37 and 50
- Minimise interference from electromagnetic and RF sources
- Meets VDE 0871, FCC 20780 and 89/336/EEC
- Non-static parts avoid ESD problems
- Accept round foil and braided cable types
- Printed logotype available upon request
- Long jackscrews with UNC 4-40 thread as standard, M2.5, M2.6 or M3.0 as option
- For custom designed solutions, please consult factory

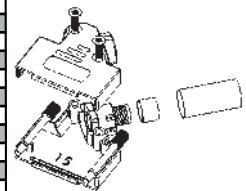
Shielded D-Sub Backshells DVZK-CZAK Series

TECHNICAL SPECIFICATIONS

| | |
|----------------------|--|
| Material: | Zinc, Ni-plated |
| Temp. range: | -40°C - 120°C |
| Cable strain relief: | Outer crimp ferrule with separate inner cable ferrule and heat shrink sleeve |
| Cable diameter: | 4.0 - 12.0 mm |
| Locking screws: | Long jackscrews with moulded top for colour coding |
| Assembly screws: | Taptite thread forming |
| Cable outlet: | Angled |
| Attenuation factor: | > 40 dB between 30 MHz and 1 GHz |



| CABLE FERRULE | | CRIMP FERRULE | | HEAT SHRINK SLEEVE | |
|---------------|---------|---------------|-------------|--------------------|-----------|
| Part Number | di (mm) | dy (mm) | Part Number | Di (mm) | Dy (mm) |
| CZA-2.6-D5 | 2.6 | 3.6 | CZA-CF-4.5 | 4.5 | 5.5 |
| CZA-3-D5 | 3 | 4 | CZA-CF-5 | 5 | 6 |
| CZA-3.25-D5 | 3.25 | 4.25 | CZA-CF-5.5 | 5.5 | 6.5 |
| CZA-3.5-D5 | 3.5 | 4.5 | CZA-CF-6 | 6 | 7 |
| CZA-3.75-D5 | 3.75 | 4.75 | CZA-CF-6.5 | 6.5 | 7.5 |
| CZA-4-D5 | 4 | 5 | CZA-CF-7 | 7 | 8 |
| CZA-4.5-D5 | 4.5 | 5.5 | CZA-CF-7.5 | 7.5 | 8.5 |
| CZA-5-D5 | 5 | 6 | CZA-CF-8 | 8 | 9 |
| CZA-5.5-D5 | 5.5 | 6.5 | CZA-CF-8.5 | 8.5 | 9.5 |
| CZA-6-D5 | 6 | 7 | CZA-CF-9 | 9 | 10 |
| CZA-6.5 | 6.5 | 7.5 | CZA-CF-9.5 | 9.5 | 10.5 |
| CZA-7-D5 | 7 | 8 | CZA-CF-10 | 10 | 11 |
| CZA-7.5-D5 | 7.5 | 8.5 | CZA-CF-10.5 | 10.5 | 11.5 |
| CZA-8-D5 | 8 | 9 | CZA-CF-11 | 11 | 12 |
| CZA-8.5-D5 | 8.5 | 9.5 | CZA-CF-11.5 | 11.5 | 12.5 |
| CZA-9-D5 | 9 | 10 | CZA-CF-12 | 12 | 13 |
| CZA-9.5-D5 | 9.5 | 10.0 | CZA-CF-12.5 | 12.5 | 13.5 |
| | | | CZA-CF-13 | 13 | 14 |
| | | | CZA-CF-13.5 | 13.5 | 14.5 |
| | | | CZA-CF-14 | 14 | 15 |
| | | | | | CZA-D1-19 |



PART NUMBERING SYSTEM

DVZK25 - CZA4 - CF7 - 9 - - K

Series: _____
 DVZK-CZAK
 Size: _____
 9, 15, 25, 37 or 50
 Cable ferrule: _____
 Measure diameter of
 stripped cable

Packaging:
 K = Kit package
 BULK = Bulk package / 100 pcs
 Thread (jackscrew):
 Omit = UNC4-40
 M2.5
 M2.6
 M3.0
 Heat shrink tube:
 9, 13 or 19 mm Ø
 Crimp ferrule:
 Measure cable outer diameter

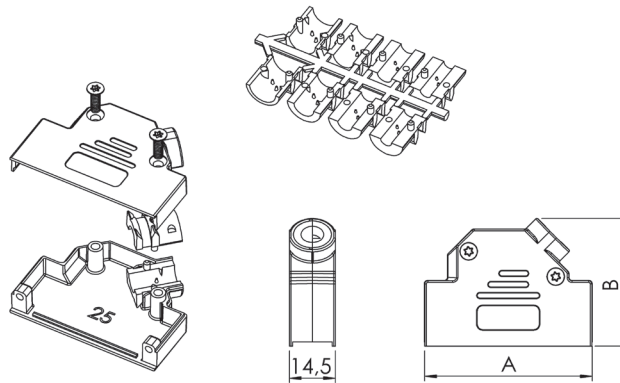
FEATURES

- Available in sizes 9, 15, 25, 37 and 50
- Minimise interference from electromagnetic and RF sources
- Meets VDE 0871, FCC 20780 and 89/336/EEC
- Non-static parts avoid ESD problems
- Accept round foil and braided cable types
- Printed logotype available upon request
- Long jackscrews with UNC 4-40 thread as standard, M2.5, M2.6 or M3.0 as option
- For custom designed solutions, please consult factory

Shielded D-Sub Backshells DVZK-SL Series

TECHNICAL SPECIFICATIONS

| | |
|----------------------|---|
| Material: | Zinc, Ni-plated |
| Temp. range: | -40°C - 120°C |
| Cable strain relief: | Polycarbonate PC UL94 V0 |
| Cable diameter: | 3.0 - 13.0 mm |
| Locking screws: | Integrated UNC 4-40 threads for slidelock or panel assembly |
| Assembly screws: | Taptite thread forming |
| Cable outlet: | Angled |
| Attenuation factor: | > 40 dB between 30 MHz and 1 GHz |



| TYPE | A | B |
|-----------|------|------|
| DVZK09-SL | 31 | 36,3 |
| DVZK15-SL | 39,3 | 40,4 |
| DVZK25-SL | 53 | 40,4 |
| DVZK37-SL | 69,5 | 40,4 |

PART NUMBERING SYSTEM

DVZK15 - SL - BULK

Series: _____
DVZK-SL
Size: _____
9, 15, 25 and 37

Packaging:
K = Kit package
BULK = Bulk package / 100 pcs

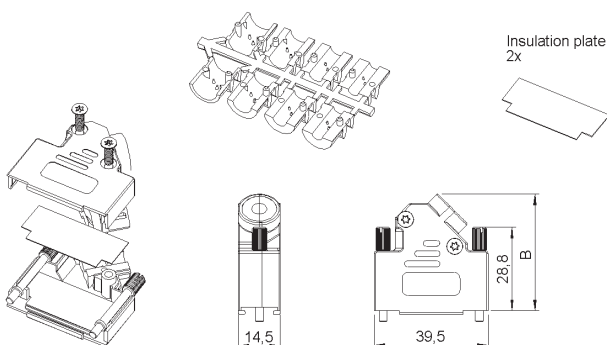
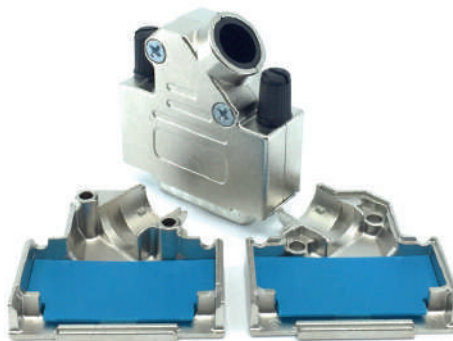
FEATURES

- Available in sizes 9, 15, 25 and 37
- Minimise interference from electromagnetic and RF sources
- Non-static parts avoid ESD problems
- Accept round foil and braided cable types
- Approved according VDE 0871, FCC 20780 and 89/336/EU
- Printed logotype available upon request
- Integrated UNC 4-40 threads for slidelock or panel assembly
- For custom designed solutions, please consult factory

Shielded D-Sub Backshells DVZK-W Series

TECHNICAL SPECIFICATIONS

| | |
|----------------------|--|
| Material: | Zinc, Ni-plated |
| Temp. range: | -40°C - 120°C |
| Cable strain relief: | Polycarbonate PC UL94 V0 |
| Cable diameter: | 3.0 - 13.0 mm |
| Locking screws: | Long jackscrews with groove for indication of thread |
| Assembly screws: | Taptite thread forming |
| Cable outlet: | Angled |
| Attenuation factor: | > 40 dB between 30 MHz and 1 GHz |



| TYPE | A | B |
|----------|------|------|
| DVZK9-W | 31 | 36.2 |
| DVZK15-W | 39.5 | 40.2 |
| DVZK25-W | 53.2 | 40.2 |
| DVZK37-W | 69.7 | 40.2 |

PART NUMBERING SYSTEM

DVZK15 - W - - BULK

Series: _____
DVZK-W
Size: _____
9, 15, 25, 37 and 50

Packaging:
K = Kit package
BULK = Bulk package / 100 pcs
Thread (jackscrew):
Omit = UNC4-40
M2.5
M2.6
M3.0

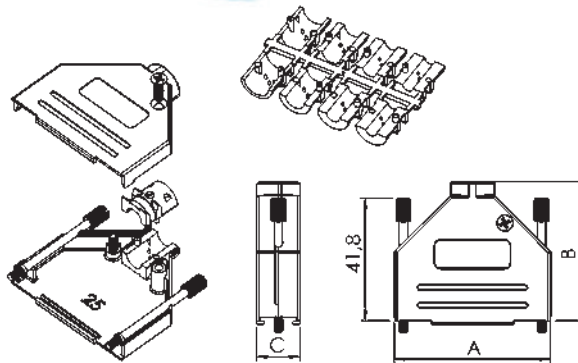
FEATURES

- Available in sizes 9, 15, 25, 37 and 50
- Insulation plates integrated ideal for applications with screw termination connectors
- Non-static parts avoid ESD problems
- Accept round foil and braided cable types
- Approved according VDE 0871, FCC 20780 and 89/336/EU
- Company logotype available upon request
- Long jackscrews with UNC 4-40 thread as standard, M2.5, M2.6 or M3.0 as option
- For custom designed solutions, please consult factory

Shielded D-Sub Backshells DTNMK Series

TECHNICAL SPECIFICATIONS

| | |
|----------------------|--------------------------------------|
| Material: | Zinc, Ni-plated non-magnetic |
| Temp. range: | -40°C - 120°C |
| Cable strain relief: | Polycarbonate PC UL94 V0 |
| Cable diameter: | 3.0 - 13.0 mm <17.0 mm DTNMK50 |
| Locking screws: | Solid metal jackscrews, non-magnetic |
| Assembly screws: | Taptite thread forming |
| Cable outlet: | Straight |
| Attenuation factor: | > 40 dB between 30 MHz and 1 GHz |



| TYPE | A | B | C |
|---------|------|------|------|
| DTNMK9 | 31 | 38,3 | 14,8 |
| DTNMK15 | 39,5 | 40,5 | 14,6 |
| DTNMK25 | 53,2 | 47,3 | 14,6 |
| DTNMK37 | 70,9 | 52,2 | 14,6 |
| DTNMK50 | 67,3 | 52,1 | 17,4 |

PART NUMBERING SYSTEM

Series: _____
DTNMK
Size: _____
9, 15, 25, 37 and 50

DTNMK25 - - K

Packaging:
K = Kit package
BULK = Bulk / 100 pcs
Thread (jackscrew):
Omit = UNC4-40
M2.5
M2.6
M3.0

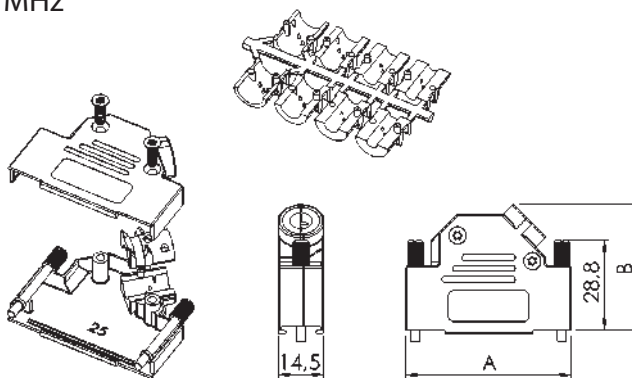
FEATURES

- Available in sizes 9, 15, 25, 37 and 50
- Manufactured from non-magnetic materials
- Minimise interference from electromagnetic and RF sources
- Non-static parts avoid ESD problems
- Accept round foil and braided cable types
- Company logotype available upon request
- Long jackscrews with UNC 4-40 thread as standard, M2.5, M2.6 or M3.0 as option

Shielded D-Sub Backshells DVNMK Series

TECHNICAL SPECIFICATIONS

| | |
|----------------------|--------------------------------------|
| Material: | Zinc, Ni-plated non-magnetic |
| Temp. range: | -40°C - 120°C |
| Cable strain relief: | Polycarbonate PC UL94 V0 |
| Cable diameter: | 3.0 - 13.0 mm <17.0 mm DVNMK50 |
| Locking screws: | Solid metal jackscrews, non-magnetic |
| Assembly screws: | Taptite thread forming |
| Cable outlet: | Angled |
| Attenuation factor: | > 40 dB between 30 MHz and 1 GHz |



| TYPE | A | B |
|---------|------|------|
| DVNMK9 | 31 | 38,2 |
| DVNMK15 | 39,5 | 40,2 |
| DVNMK25 | 53,2 | 40,2 |
| DVNMK37 | 69,7 | 40,2 |
| DVNMK50 | 87,2 | 43,7 |

PART NUMBERING SYSTEM

DVNMK15 - - BULK

Series: _____
DVNMK
Size: _____
9, 15, 25, 37 and 50

Packaging:
K = Kit package
BULK = Bulk package / 100 pcs
Thread (jack screw):
Omit = UNC4-40
M2.5
M2.6
M3.0

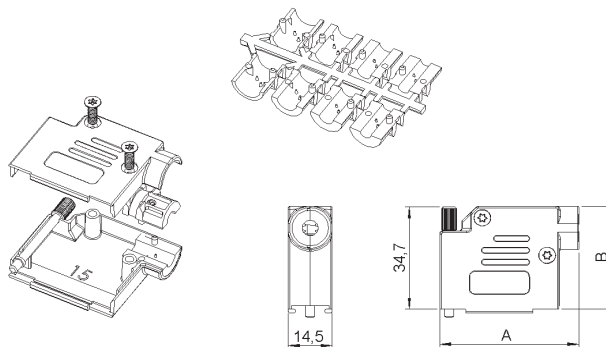
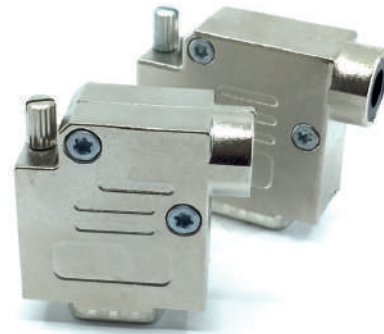
FEATURES

- Available in sizes 9, 15, 25, 37 and 50
- Manufactured from non-magnetic materials
- Minimise interference from electromagnetic and RF sources
- Non-static parts avoid ESD problems
- Accept round foil and braided cable types
- Approved according VDE 0871, FCC 20780 and 89/336/EU
- Printed logotype available upon request
- Long jackscrews with UNC 4-40 thread as standard, M2.5, M2.6 or M3.0 as option

Shielded D-Sub Backshells DSZK Series

TECHNICAL SPECIFICATIONS

| | |
|----------------------|--|
| Material: | Zinc, Ni-plated |
| Temp. range: | -40°C - 120°C |
| Cable strain relief: | Polycarbonate PC UL94 V0 |
| Cable diameter: | 3.0 - 13.0 mm |
| Locking screws: | Long jackscrews with groove for indication of thread |
| Assembly screws: | Taptite thread forming |
| Cable outlet: | Side |
| Attenuation factor: | > 40 dB between 30 MHz and 1 GHz |



| TYPE | A | B |
|--------|------|----|
| DSZK9 | 37,7 | 35 |
| DSZK15 | 46 | 35 |

PART NUMBERING SYSTEM

DSZK15 - M3.0 - BULK

Series: _____
 DSZK
 Size: _____
 9 and 15
 Thread (jackscrew): _____
 Omit = UNC 4-40
 M2.5
 M2.6
 M3.0

Packaging:
 K = Kit package
 BULK = Bulk package / 100 pcs

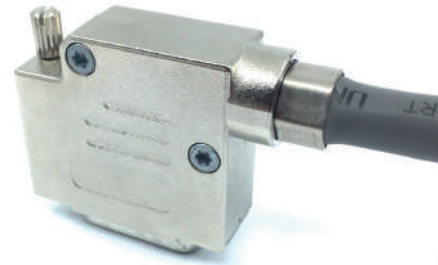
FEATURES

- Available in sizes 9 and 15
- Minimise interference from electromagnetic and RF sources
- Non-static parts avoid ESD problems
- Accept round foil and braided cable types
- Approved according VDE 0871, FCC 20780 and 89/336/EU
- Printed logotype available upon request
- Long jackscrews with UNC 4-40 thread as standard, M2.5, M2.6 or M3.0 as option
- For custom designed solutions, please consult factory

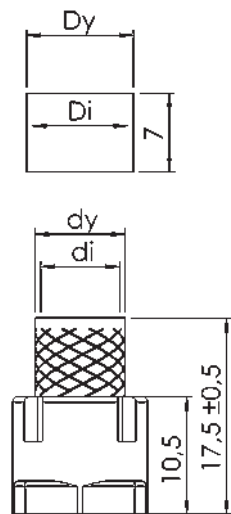
Shielded D-Sub Backshells DSZK-CZA Series

TECHNICAL SPECIFICATIONS

| | |
|----------------------|---|
| Material: | Zinc, Ni-plated |
| Temp. range: | -40°C - 120°C |
| Cable strain relief: | Outer crimp ferrule with separate inner cable ferrule |
| Cable diameter: | 3.0 - 12.0 mm |
| Locking screws: | Long jackscrews with groove for indication of thread |
| Assembly screws: | Taptite thread forming |
| Cable outlet: | 90° |
| Attenuation factor: | > 40 dB between 30 MHz and 1 GHz |



| CABLE FERRULE | | | CRIMP FERRULE | | |
|---------------|---------|---------|---------------|---------|---------|
| Part Number | di (mm) | dy (mm) | Part Number | Di (mm) | Dy (mm) |
| CZA-2.6-D5 | 2.6 | 3.6 | CZA-CF-4.5 | 4.5 | 5.5 |
| CZA-3-D5 | 3 | 4 | CZA-CF-5 | 5 | 6 |
| CZA-3.25-D5 | 3.25 | 4.25 | CZA-CF-5.5 | 5.5 | 6.5 |
| CZA-3.5-D5 | 3.5 | 4.5 | CZA-CF-6 | 6 | 7 |
| CZA-3.75-D5 | 3.75 | 4.75 | CZA-CF-6.5 | 6.5 | 7.5 |
| CZA-4-D5 | 4 | 5 | CZA-CF-7 | 7 | 8 |
| CZA-4.5-D5 | 4.5 | 5.5 | CZA-CF-7.5 | 7.5 | 8.5 |
| CZA-5-D5 | 5 | 6 | CZA-CF-8 | 8 | 9 |
| CZA-5.5-D5 | 5.5 | 6.5 | CZA-CF-8.5 | 8.5 | 9.5 |
| CZA-6-D5 | 6 | 7 | CZA-CF-9 | 9 | 10 |
| CZA-6.5 | 6.5 | 7.5 | CZA-CF-9.5 | 9.5 | 10.5 |
| CZA-7-D5 | 7 | 8 | CZA-CF-10 | 10 | 11 |
| CZA-7.5-D5 | 7.5 | 8.5 | CZA-CF-10.5 | 10.5 | 11.5 |
| CZA-8-D5 | 8 | 9 | CZA-CF-11 | 11 | 12 |
| CZA-8.5-D5 | 8.5 | 9.5 | CZA-CF-11.5 | 11.5 | 12.5 |
| CZA-9-D5 | 9 | 10 | CZA-CF-12 | 12 | 13 |
| CZA-9.5-D5 | 9.5 | 10.0 | CZA-CF-12.5 | 12.5 | 13.5 |
| | | | CZA-CF-13 | 13 | 14 |
| | | | CZA-CF-13.5 | 13.5 | 14.5 |
| | | | CZA-CF-14 | 14 | 15 |



PART NUMBERING SYSTEM

DSZK15 - CZA3-CF6 - K

Series: _____
 DSZK-CZA
 Size: _____
 9 and 15-way
 Cable ferrule: _____
 Measure outer cable diameter and diameter of braid to combine cable - and crimp ferrule

_____ Packaging:
 K = Kit package
 BULK = Bulk package / 100 pcs
 Thread (jackscrew):
 Omit = UNC4-40
 M2.5
 M2.6
 M3.0

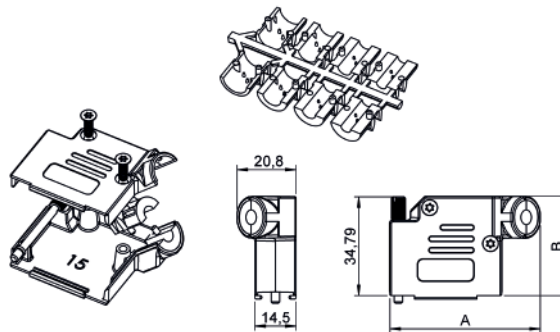
FEATURES

- Available in sizes 9- and 15-way
- Minimise interference from electromagnetic and RF sources
- Meets VDE 0871, FCC 20780 and 89/336/EEC
- Non-static parts avoid ESD problems
- Accept round foil and braided cable types
- Printed logotype available upon request
- Long jackscrews with UNC 4-40 thread as standard, M2.5, M2.6 or M3.0 as option
- For custom designed solutions, please consult factory

Shielded D-Sub Backshells DSVZK Series

TECHNICAL SPECIFICATIONS

| | |
|----------------------|--|
| Material: | Zinc, Ni-plated |
| Temp. range: | -40°C - 120°C |
| Cable strain relief: | Polycarbonate PC UL94 V0 |
| Cable diameter: | 3.0 - 13.0 mm |
| Locking screws: | Long jackscrews with groove for indication of thread |
| Assembly screws: | Taptite thread forming |
| Cable outlet: | Side and 45° angle |
| Attenuation factor: | > 40 dB between 30 MHz and 1 GHz |



| TYPE | A | B |
|---------|------|----|
| DSVZK15 | 52,9 | 35 |

PART NUMBERING SYSTEM

DSVZK15 - M2.5 - BULK

Series: _____
DSVZK
Size: _____
15

Packaging:
K = Kit package
BULK = Bulk / 100 pcs
Thread:
Omit = UNC 4-40
M2.5
M2.6
M3.0

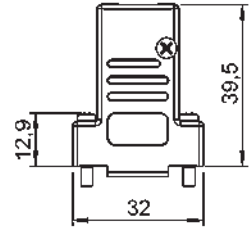
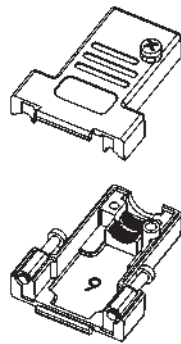
FEATURES

- Available in size 15
- Minimise interference from electromagnetic and RF sources
- Non-static parts avoid ESD problems
- Accept round foil and braided cable types
- Approved according VDE 0871, FCC 20780 and 89/336/EU
- Printed logotype available upon request
- Long jackscrews with UNC 4-40 thread as standard, M2.5, M2.6 or M3.0 as option
- For custom designed solutions, please consult factory

Shielded D-Sub Backshells DMTZK Series

TECHNICAL SPECIFICATIONS

| | |
|----------------------|---------------------------------------|
| Material: | Zinc, Ni-plated |
| Temp. range: | -40°C - 120°C |
| Cable strain relief: | Cable clamp with 2 assembly screws |
| Cable diameter: | 4.0 - 13.0 mm |
| Locking screws: | Delivered with pre-mounted jackscrews |
| Cable outlet: | Straight |
| Attenuation factor: | > 60 dB between 300 MHz and 900 MHz |



PART NUMBERING SYSTEM

Series: _____
DMTZK

Size: _____
9

DMTZK9 - - K

Packaging:
K = Kit package
BULK = Bulk package / 100 pcs

Thread (jackscrew):
Omit = UNC4-40
M2.5
M2.6
M3.0

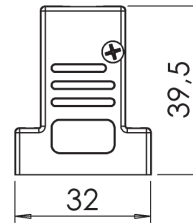
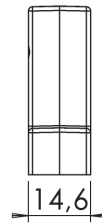
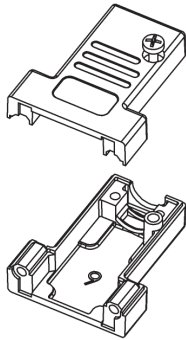
FEATURES

- Available in size 9-way
- Minimise interference from electromagnetic and RF sources
- Non-static parts avoid ESD problems
- Accept round foil and braided cable types
- Approved according VDE 0871, FCC 20780 and 89/336/EU
- Company logotype available upon request
- Pre-mounted jackscrews with UNC 4-40 thread as standard. M2.5, M2.6 or M3.0 as option
- For custom designed solutions, please consult factory

Shielded D-Sub Backshells DMTZK-SL Series

TECHNICAL SPECIFICATIONS

| | |
|----------------------|---|
| Material: | Zinc, Ni-plated |
| Temp. range: | -40°C - 120°C |
| Cable strain relief: | Cable clamp with 2 assembly screws |
| Cable diameter: | 4.0 - 13.0 mm |
| Locking screws: | Integrated UNC 4-40 threads for slidelock or panel assembly |
| Cable outlet: | Angled |
| Attenuation factor: | > 60 dB between 300 MHz and 900 MHz |



PART NUMBERING SYSTEM

DMTZK9 - SL - K

Series: _____
DMTZK-SL
Size: _____
9

Packaging:
K = Kit package
BULK = Bulk package / 100 pcs

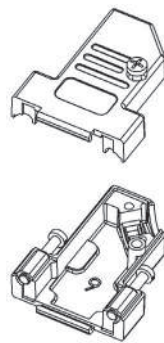
FEATURES

- Available in size 9-way
- Minimise interference from electromagnetic and RF sources
- Integrated UNC 4-40 threads for slidelock or panel assembly
- Non-static parts avoid ESD problems
- Accept round foil and braided cable types
- Approved according VDE 0871, FCC 20780 and 89/336/EU
- Company logotype available upon request
- For custom designed solutions, please consult factory

Shielded D-Sub Backshells DMVZK Series

TECHNICAL SPECIFICATIONS

| | |
|----------------------|--|
| Material: | Zinc, Ni-plated |
| Temp. range: | -40°C - 120°C |
| Cable strain relief: | Cable clamp with 2 assembly screws |
| Cable diameter: | 4.0 - 13.0 mm |
| Locking screws: | Delivered with pre-mounted UNC4-40 jackscrews. M2.5, M2.6 and M3.0 as option |
| Cable outlet: | Angled |
| Attenuation factor: | > 60 dB between 300 MHz and 900 MHz |



| TYPE | A | B |
|---------|------|------|
| DMVZK9 | 32 | 39,5 |
| DMVZK15 | 40,3 | 39,5 |

PART NUMBERING SYSTEM

Series: _____
DMVZK
Size: _____
9 & 15

DMVZK9 - - K

Packaging:
K = Kit package
BULK = Bulk package / 100 pcs
Thread (jackscrew):
Omit = UNC4-40
M2.5
M2.6
M3.0

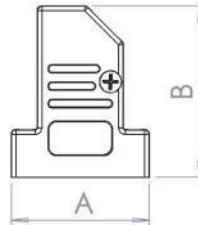
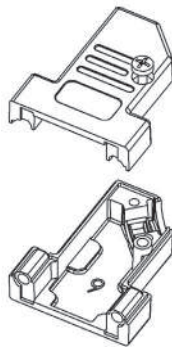
FEATURES

- Available in sizes 9- and 15-way
- Minimise interference from electromagnetic and RF sources
- Pre-mounted jackscrew provide easy assembly
- Non-static parts avoid ESD problems
- Accept round foil and braided cable types
- Approved according VDE 0871, FCC 20780 and 89/336/EU
- Company logotype available upon request
- Jackscrews with UNC 4-40 thread as standard, M2.5, M2.6 or M3.0 as option
- For custom designed solutions, please consult factory

Shielded D-Sub Backshells DMVZK-SL Series

TECHNICAL SPECIFICATIONS

| | |
|----------------------|---|
| Material: | Zinc, Ni-plated |
| Temp. range: | -40°C - 120°C |
| Cable strain relief: | Cable clamp with 2 assembly screws |
| Cable diameter: | 4.0 - 13.0 mm |
| Locking screws: | Integrated UNC 4-40 threads for slidelock or panel assembly |
| Cable outlet: | Angled |
| Attenuation factor: | > 60 dB between 300 MHz and 900 MHz |



| TYPE | A | B |
|------------|------|------|
| DMVZK9-SL | 32 | 39,5 |
| DMVZK15-SL | 40,3 | 39,5 |

PART NUMBERING SYSTEM

Series: _____
DMVZK-SL
Size: _____
9 & 15

DMVZK9 - SL - K

Packaging:
K = Kit package
BULK = Bulk package / 100 pcs

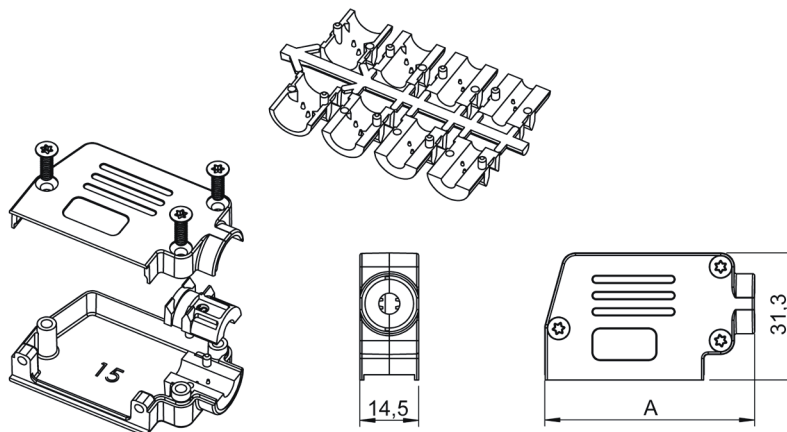
FEATURES

- Available in sizes 9- and 15-way
- Minimise interference from electromagnetic and RF sources
- Integrated UNC 4-40 threads for slidelock or panel assembly
- Non-static parts avoid ESD problems
- Accept round foil and braided cable types
- Approved according VDE 0871, FCC 20780 and 89/336/EU
- Company logotype available upon request
- For custom designed solutions, please consult factory

Shielded D-Sub Backshells DSZK-SL Series

TECHNICAL SPECIFICATIONS

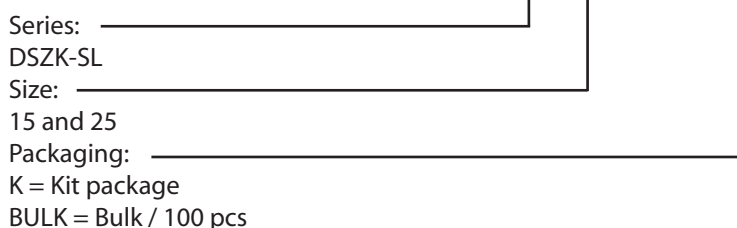
| | |
|----------------------|---|
| Material: | Zinc, Ni-plated |
| Temp. range: | -40°C - 120°C |
| Cable strain relief: | Polycarbonate, PC UL94 V0 |
| Cable diameter: | 3.0 - 13.0 mm |
| Locking screws: | Integrated UNC 4-40 threads for slidelock or panel assembly |
| Assembly screws: | Taptite thread forming |
| Cable outlet: | Side |
| Attenuation factor: | > 40 dB between 30 MHz and 1 GHz |



| TYPE | A |
|-----------|------|
| DSZK15-SL | 51,8 |
| DSZK25-SL | 65,5 |

PART NUMBERING SYSTEM

DSZK15 - SL - BULK



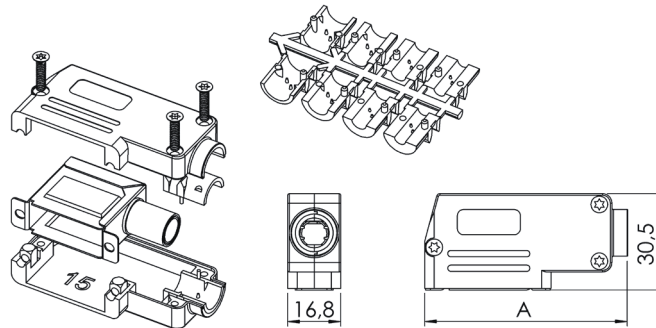
FEATURES

- Available in sizes 15 and 25
- Minimise interference from electromagnetic and RF sources
- Non-static parts avoid ESD problems
- Accept round foil and braided cable types
- Approved according VDE 0871, FCC 20780 and 89/336/EU
- Printed logotype available upon request
- Integrated UNC 4-40 threads for slidelock or panel assembly
- For custom designed solutions, please consult factory

Shielded D-Sub Backshells DSK-SL Series

TECHNICAL SPECIFICATIONS

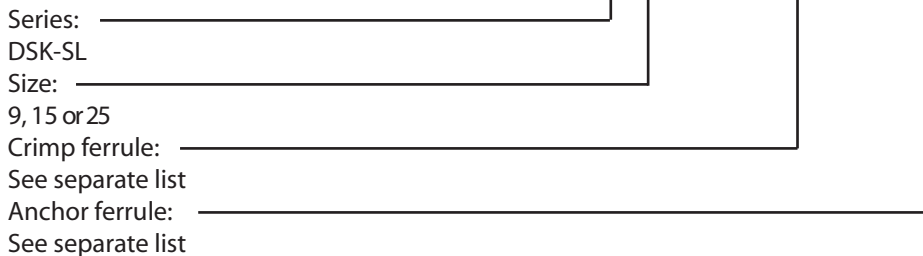
| | |
|----------------------|---|
| Material insulator: | Polycarbonate UL94 V0 |
| Material shielding: | Zi-plated steel |
| Temp. range: | -40°C - 105°C |
| Cable strain relief: | Crimp ferrule with cable ferrule |
| Cable diameter: | 3.0 - 13.0 mm |
| Locking screws: | Integrated UNC 4-40 threads for slidelock or panel assembly |
| Cable outlet: | Side |
| Attenuation factor: | > 40 dB between 30 MHz and 1 GHz |



| TYPE | A |
|----------|------|
| DSK9-SL | 56.3 |
| DSK15-SL | 64.3 |
| DSK25-SL | 78.3 |

PART NUMBERING SYSTEM

DSK9 - SL - R10.6 - SR9.0/8.1- K



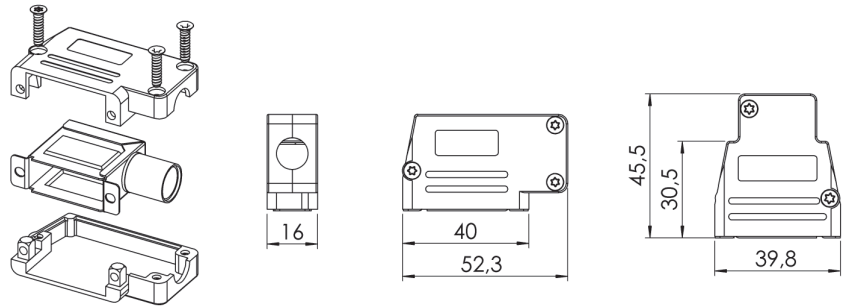
FEATURES

- Available in sizes 9, 15 and 25-way
- Crimped cable retention guarantee 360° shielding
- Accept round foil and braided cable types
- Company logotype available upon request
- Approved according VDE 0871, FCC 20780, IEEE 802.3 and 89/336/EU
- Integrated UNC 4-40 threads for slidelock or panel assembly
- For custom designed solutions, please consult factory

Shielded D-Sub Backshells DSK/DTK-SL Series

TECHNICAL SPECIFICATIONS

| | |
|----------------------|---|
| Material insulator: | Polycarbonate UL94 V0 |
| Material shielding: | Zi-plated steel |
| Temp. range: | -40°C - 105°C |
| Cable strain relief: | Crimp ferrule with anchor ferrule |
| Cable diameter: | 3.0 - 13.0 mm |
| Locking screws: | Integrated UNC 4-40 threads for slidelock or panel assembly |
| Cable outlet: | Straight or side |
| Attenuation factor: | > 40 dB between 30 MHz and 1 GHz |



PART NUMBERING SYSTEM

DSK15 - SL - R10.6 - SR9.0/8.1 - - K

| | | | | | |
|-------------------|-------|-------|-------|-------|-------|
| Series: | _____ | _____ | _____ | _____ | _____ |
| DSK/DTK-SL | | | | | |
| Size: | _____ | _____ | _____ | _____ | _____ |
| 15 | | | | | |
| Crimp ferrule: | _____ | _____ | _____ | _____ | _____ |
| See separate list | | | | | |
| Anchor ferrule: | _____ | _____ | _____ | _____ | _____ |
| See separate list | | | | | |

Packaging:
 K = Kit package
 BULK = Bulk / 100 pcs
 Colour:
 Omit = black
 Other colours available:
 beige, blue, brown,
 green, grey, ivory,
 red, white and yellow

FEATURES

- Available in size 15-way
- Crimped cable retention guarantee 360° shielding
- Accept round foil and braided cable types
- Crimp tool only extra tool required
- Company logotype available upon request
- Approved according VDE 0871, FCC 20780, IEEE 802.3 and 89/336/EU
- Integrated UNC 4-40 threads for slidelock or panel assembly
- For custom designed solutions, please consult factory

Ferrule versions for DTK and DTK/DSK-SL Series

| Cable outer diameter | Crimp applicators | Part number | Cable | Assembly |
|---------------------------|-----------------------|-------------|----------------|----------|
| 6,0 mm | 7,0 | -4,0 | Braided screen | Standard |
| 6,0 mm (thin braid) | 7,0 | -4,5 | Braided screen | Standard |
| 7,0 mm | 8,0 | -5,0 | Braided screen | Standard |
| 7,0 mm (thin braid) | 8,0 | -5,5 | Braided screen | Standard |
| 8,0 mm | 9,0 | -6,0 | Braided screen | Standard |
| 8,0 mm (thin braid) | 9,0 | -6,5 | Braided screen | Standard |
| 10,2 mm | 11,6 | -7,0 | Braided screen | Standard |
| 10,5 mm | 12,0 | -7,4 | Braided screen | Standard |
| 11,2 mm | 12,0 | -8,0 | Braided screen | Standard |
| 11,2 mm (thin braid) | 12,5 | -9,0 | Braided screen | Standard |
| 12,0 mm | 13,0 | -10,0 | Braided screen | Standard |
| 5,2 mm | 6,5 | -R 5,3 | Braided screen | Reversed |
| 7,5 mm | 8,0 | -R 7,5 | Braided screen | Reversed |
| 8,0 mm | 9,0 | -R 8,1 | Braided screen | Reversed |
| 9,0 mm | 10,0 | -R 9,0 | Braided screen | Reversed |
| 9,8 mm | 11,0 | -R 9,9 | Braided screen | Reversed |
| 10,5 mm | 11,6 | -R 10,6 | Braided screen | Reversed |
| 11,0 mm | 12,0 | -R 11,0 | Braided screen | Reversed |
| 11,7 mm | 12,5 | -R 11,7 | Braided screen | Reversed |
| 4,0 - 8,6 mm | FCT | -F 8,6 | Foil screen | Foil |
| 7,0 mm | <i>not applicable</i> | -F 7N | Foil screen | Foil |
| 3,0 - 5,0 mm (flat cable) | <i>not applicable</i> | -F TEL | Foil screen | Foil |

Crimp Tool DTCT and DIES Applicators

TECHNICAL SPECIFICATIONS

Material (crimp dies): Hardened steel

Item DIES5, crimp applicators for DTCT



Hand crimp tool DTCT assembled with crimp dies



PART NUMBERING SYSTEM

DTCT

Series handtool: _____
 DTCT (for DIES5-5.5 to 12)
 DTCT-W (for DIES5-12.5 to 15)

DIES5 - 10

Series crimpdies: _____
 DIES5
 Size: _____
 See separate list for available applicators

| DIES SET ITEM | CRIMP FERRULE | DIMENSION (A) | HANDTOOL |
|---------------|---------------------|----------------|----------|
| | Outer diameter (mm) | Hexagonal (mm) | |
| DIES5-3.5 | 3.5 | 1.68 | DTCT |
| DIES5-3.75 | 3.75 | 1.79 | DTCT |
| DIES5-4.0 | 4 | 1.91 | DTCT |
| DIES5-4.25 | 4.25 | 2.02 | DTCT |
| DIES5-4.5 | 4.5 | 2.13 | DTCT |
| DIES5-4.75 | 4.75 | 2.25 | DTCT |
| DIES5-5.5 | 5.5 | 2.58 | DTCT |
| DIES5-6 | 6 | 2.81 | DTCT |
| DIES5-6.5 | 6.5 | 3.04 | DTCT |
| DIES5-7 | 7 | 3.27 | DTCT |
| DIES5-7.5 | 7.5 | 3.49 | DTCT |
| DIES5-8 | 8 | 3.72 | DTCT |
| DIES5-8.5 | 8.5 | 3.94 | DTCT |
| DIES5-9 | 9 | 4.17 | DTCT |
| DIES5-9.5 | 9.5 | 4.40 | DTCT |
| DIES5-10 | 10 | 4.63 | DTCT |
| DIES5-10.5 | 10.5 | 4.85 | DTCT |
| DIES5-11 | 11 | 5.08 | DTCT |
| DIES5-11.5 | 11.5 | 5.30 | DTCT |
| DIES5-12 | 12 | 5.53 | DTCT |
| DIES5-12.5 | 12.5 | 5.76 | DTCT-W |
| DIES5-13 | 13 | 5.99 | DTCT-W |
| DIES5-13.5 | 13.5 | 6.21 | DTCT-W |
| DIES5-14 | 14 | 6.44 | DTCT-W |
| DIES5-14.5 | 14.5 | 6.66 | DTCT-W |
| DIES5-15 | 15 | 6.89 | DTCT-W |

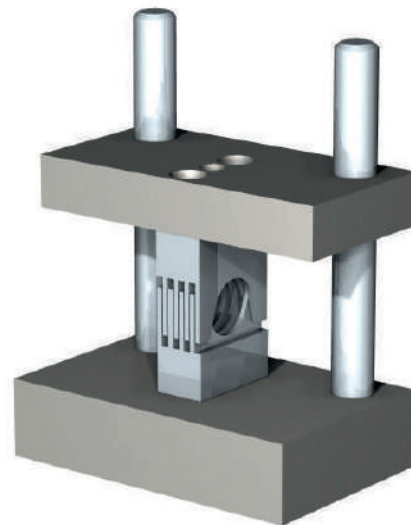
FEATURES

- Crimp tool and crimp dies to be combined with D-Sub backshells DTK, DSK-SL, DTZK-CZA, DTZK-CZAK, DVZK-CZA and DVZK-CZAK Series
- Crimp dies also available for pneumatic or electric powered crimp machines

Crimp Tool DTCT-RB Series

TECHNICAL SPECIFICATIONS

Material: Hardened steel
1 kit comprise: 1 applicator and mounting plate with guiding fixture



PART NUMBERING SYSTEM

DTCT - RB - 10

Series: _____
DTCT-RB
Size: _____

DTCT-RB applicator matrix

| Crimp applicator | Crimp ferrule (outer diameter) |
|------------------|--------------------------------|
| DTCT-RB-8 | 5,0 - 8,0 mm |
| DTCT-RB-9 | 6,0 - 9,0 mm |
| DTCT-RB-10 | 7,0 - 10,0 mm |
| DTCT-RB-11 | 9,0 - 11,0 mm |
| DTCT-RB-11,7 | 10,0 - 12,0 mm |
| DTCT-RB-12,5 | 11,0 - 13,0 mm |

FEATURES

- Crimp tool to be combined with D-Sub backshells DTK, DSK-SL, DTZK-CZA, DTZK-CZAK, DVZK-CZA and DVZK-CZAK Series
- Crimp dies are designed for assembly in manual, pneumatic or electric powered crimp machines
- For crimping with handtool, DTCT and applicators DIES are available

D-Sub Accessories / Jackscrews

TECHNICAL SPECIFICATIONS

Material (screw): Zi-plated steel
 Ni-plated brass
 Material (head D-JS): Polyamide UL94 V2
 Mounting torque: 50 - 130 Ncm
 Thread options: UNC 4-40
 M2.5
 M2.6
 M3.0



D-JS: Jack screw with plastic screw head
 D-JSS: Turned solid metal jack screw
 D-JSS-NH: Turned solid metal jack screw with slot screw head



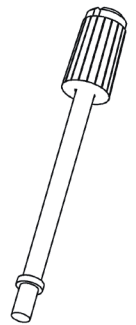
D-JSS-NH



D-JSS



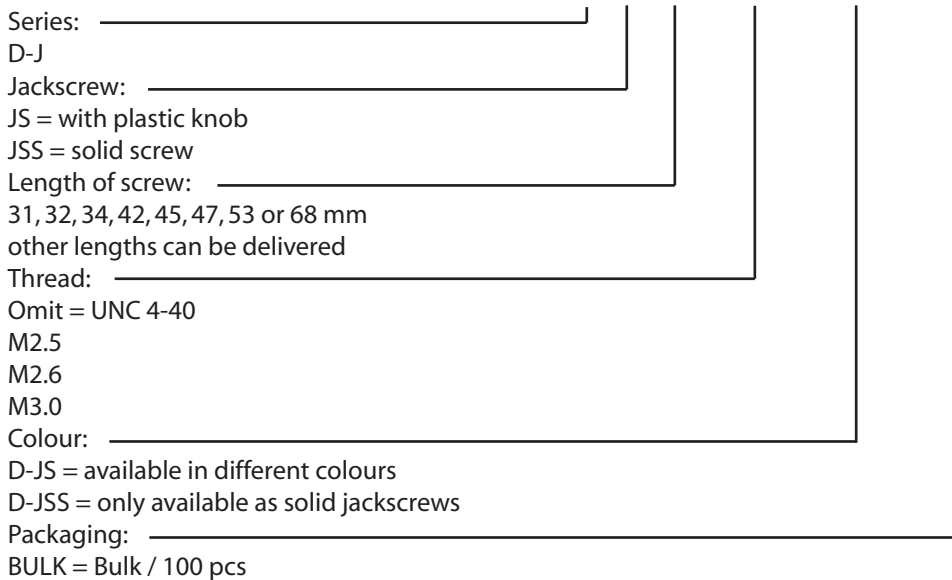
D-JSS



D-JS

PART NUMBERING SYSTEM

D-JS-45 - M3.0 - RED - BULK



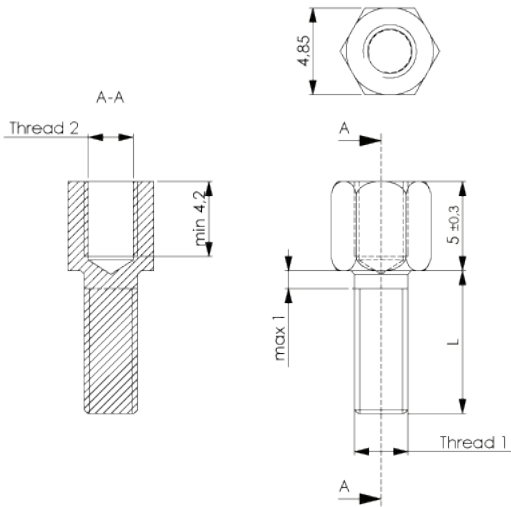
FEATURES

- Designed to be combined with Ossi D-Sub backshells
- D-JS supplied with screw head in different colours for coding
- D-JSS, solid metal CNC-machined Ni-plated brass or Zi-plated steel
- UNC 4-40, M2.5, M2.6 and M3.0 as thread options
- For custom designed solutions, please consult factory

D-Sub Accessories / Female Screw Lock

TECHNICAL SPECIFICATIONS

Material: Ni-plated steel
 1 kit comprise: 2 screws
 2 flat washers
 2 spring washers
 2 UNC 4-40 nuts
 2 M3 nuts
 Thread options: UNC 4-40 or M3



| Length (L) | Thread 1 | Thread 2 | Item |
|------------|----------|----------|------------|
| 8 mm | UNC4-40 | UNC 4-40 | DJF-8 |
| 8 mm | M3 | UNC 4-40 | DJF-8-3-4 |
| 8 mm | M3 | M3 | DJF-8-3-3 |
| 14 mm | UNC4-40 | UNC 4-40 | DJF-14 |
| 14 mm | M3 | M3 | DJF-14-3-3 |

PART NUMBERING SYSTEM

DJF - 8 - - BULK

Series: _____
 DJF
 Length: _____
 8 = 8 mm
 14 = 14 mm
 Thread options: _____
 See separate matrix above
 Packaging: _____
 K = Kitpackage
 BULK = Bulk / 100 pcs

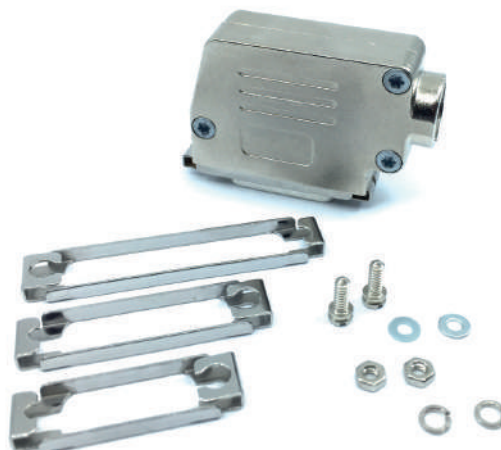
FEATURES

- Female screw with UNC 4-40 or M3 inner- and outer thread

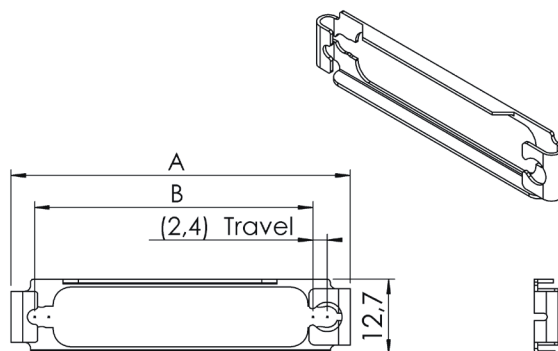
D-Sub Accessories / Slidelock

TECHNICAL SPECIFICATIONS SLIDELOCK

Material: Stainless steel
1 kit comprise: 1 slidelock
2 UNC 4-40 screws
2 spring washers
2 UNC 4-40 nuts
2 washers



Slidelock / Item SLCLIP



| Connector type | A | B |
|----------------|------|------|
| 9-way | 35,4 | 25,0 |
| 15-way | 43,7 | 33,3 |
| 25-way | 57,4 | 47,0 |

PART NUMBERING SYSTEM

SLCLIP - 15 - BULK

Series: _____
SLCLIP
Size: _____
9, 15 and 25
Packaging: _____
K = Kitpackage
BULK = Bulk / 100 pcs

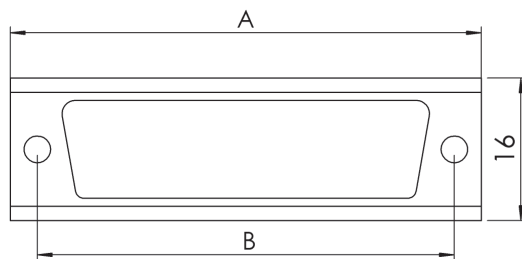
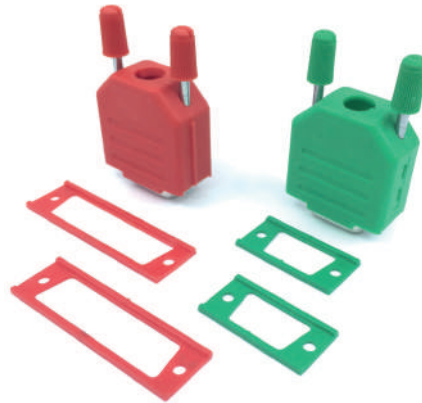
FEATURES

- Available in sizes 9, 15 and 25
- Designed to be combined with Ossi backshells with integrated UNC 4-40 threads

D-Sub Accessories DCR Series

TECHNICAL SPECIFICATIONS

Material: Nylon UL94 V2
 Applications: Colour coding and identification of D-Sub backshells when mounted in panels or wall outlets
 Temp. range: -40°C - 90°C



| Connector type | A | B |
|----------------|------|------|
| 9-way | 31,1 | 25 |
| 15-way | 39,2 | 33,3 |
| 25-way | 53,1 | 47 |

PART NUMBERING SYSTEM

DCR - 15 - YELLOW - BULK

Series: _____
 DCR
 Size: _____
 9, 15 and 25
 Colour: _____
 Black, blue, brown, green, grey,
 ivory, red, yellow, white and beige
 Packaging: _____
 BULK = Bulk / 100 pcs

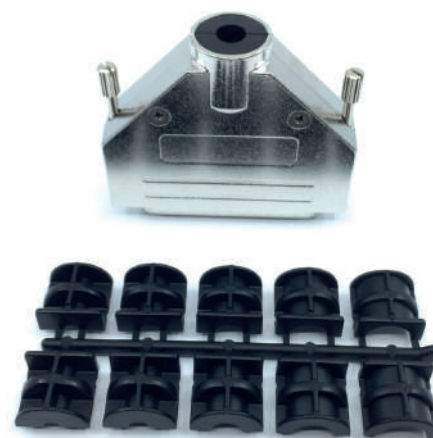
FEATURES

- Colour coding and identification frame for panels and wall outlets
- Suitable for high integrity data links
- For custom designed solutions, please consult factory

D-Sub Accessories / DVZK-D1 Cable strain relief

TECHNICAL SPECIFICATIONS

| | |
|-----------------|--|
| Material: | Polycarbonate, PC UL94 V0 |
| Applications: | Designed to be combined with DTPPK, DVPK, DSPK-SL, DTPMK, DVPMK, DTZK, DVZK, DVZK-SL, DVZK-W, DSZK, DSZK-SL and DSK-SL as cable strain relief |
| Cable diameter: | 9 - 37-way (4, 5, 7 and 9 mm) 50-way (4, 5, 7, 9 and 11 mm) Different sizes can be mixed |
| Colour: | Black |
| Temp.range: | -40°C - 120°C |



PART NUMBERING SYSTEM

DVZK - D1 - BULK

| | |
|-----------------------|---------|
| Series: _____ | └──┬──┘ |
| DVZK/DVZK50 | |
| Part: _____ | |
| D1 | |
| Packaging: _____ | └──┬──┘ |
| BULK = Bulk / 100 pcs | |

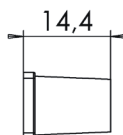
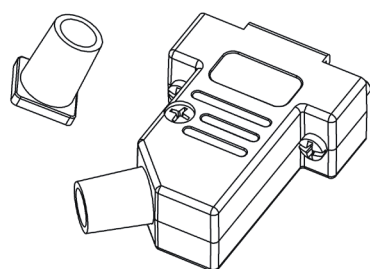
FEATURES

- Moulded in Polycarbonate (PC) UL94 V0
- Designed to be combined with DTPPK, DVPK, DSPK-SL, DTPMK, DVPMK, DTZK, DVZK, DVZK-SL, DVZK-W, DSZK, DSZK-SL, DSVZK and DSK-SL Series

D-Sub Accessories / DMZK-D1 Cable boot

TECHNICAL SPECIFICATIONS

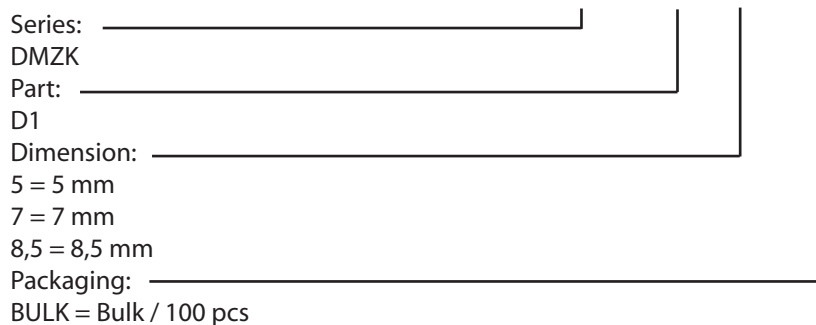
| | |
|-----------------|--|
| Material: | Evoprene Thermoplastic Elastomer UL94 V0 |
| Applications: | Cable boot for the D-Sub backshells DMTZK, DMTZK-SL, DMVZK, DMVZK-SL in size 9-way |
| Cable diameter: | 3 different sizes available: 5, 7 and 8,5 mm |
| Colour: | Black |
| Temp. range: | -40°C - 120°C |



| Item | A (inner diameter) |
|-------------|--------------------|
| DMZK-D1-5 | 5 mm |
| DMZK-D1-7 | 7 mm |
| DMZK-D1-8,5 | 8,5 mm |

PART NUMBERING SYSTEM

DMZK - D1 - 5 - BULK



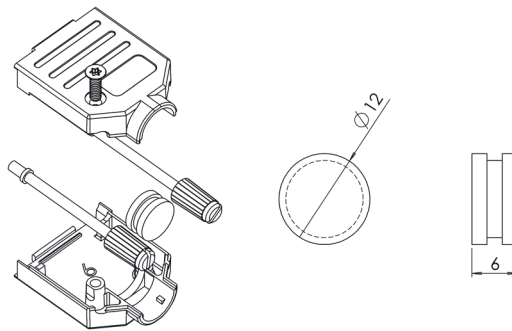
FEATURES

- Moulded in Evoprene Thermoplastic Elastomer UL94 V0
- Designed to be combined as cable boot for DMTZK, DMTZK-SL, DMVZK and DMVZK-SL in size 9-way
- For custom designed solutions, please consult factory

D-Sub Accessories / Cable Outlet Plug

TECHNICAL SPECIFICATIONS

Material: Brass, Ni-plated
Application: To replace cable strain relief DVZK-D1 and seal cable outlet when no cable mounted to backshell



PART NUMBERING SYSTEM

DTZK-D5 - BULK

Series: _____
DTZK-D5
Packaging: _____
BULK = Bulk / 100 pcs

FEATURES

- Designed to be combined with Ossi backshells to replace cable strain relief (DVZK-D1) when no cable mounted to backshell

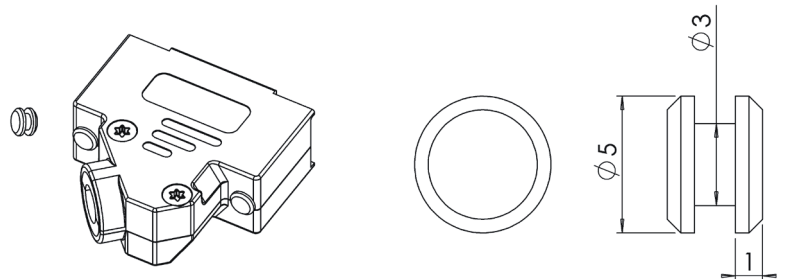
D-Sub Accessories / Sealing Plug

TECHNICAL SPECIFICATIONS

Material: Brass, Ni-plated
Application: DTZK-D6 to replace in DTZK and DTZK-D7 in DVZK when no jackscrews mounted to backshell



DTZK-D6: Replace jackscrews for DTZK Series
DTZK-D7: Replace jackscrews for DVZK Series



PART NUMBERING SYSTEM

DTZK-D6/D7 - BULK

Series: _____
DTZK-D6/D7
Packaging: _____
BULK = Bulk / 100 pcs

FEATURES

- Designed to be combined with Ossi backshells to replace when no jackscrews mounted.
- DTZK-D6 to replace jackscrews in DTZK Series
- DTZK-D7 to replace jackscrews in DVZK Series

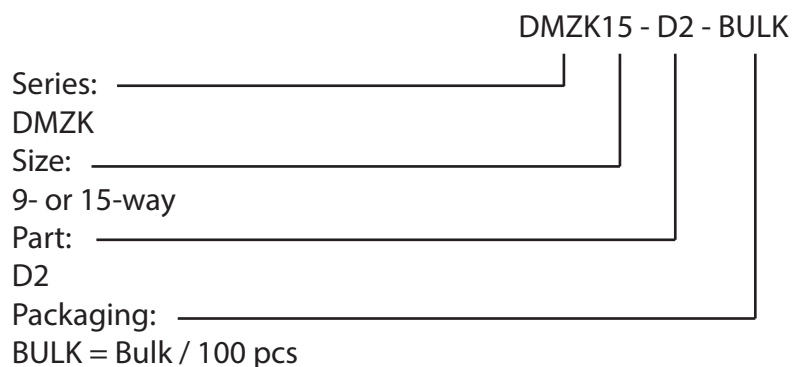
D-Sub Accessories / DMZK-D2 Cable boot

TECHNICAL SPECIFICATIONS

| | |
|-----------------|--|
| Material: | Evoprene Thermoplastic Elastomer UL94 V0 |
| Applications: | Cable boot for the backshells DMTZK and DMVZK in sizes 9- and 15-way |
| Cable diameter: | 4.5, 7.5 and 10.5 mm cut off in steps to suit cable diameter |
| Colour: | Black |
| Temp. range: | -40°C - 120°C |



PART NUMBERING SYSTEM



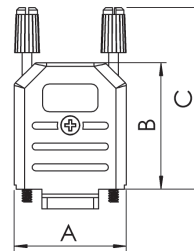
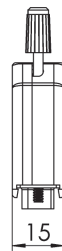
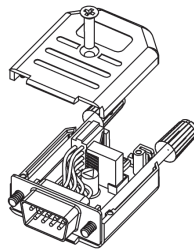
FEATURES

- Moulded in Evoprene Thermoplastic Elastomer UL94 V0
- Designed to be combined as cable boot for DMTZK and DMVZK backshells
- Cable boot can be cut to suit cable diameter

D-Sub / RJ-45 Adaptor DA Series

TECHNICAL SPECIFICATIONS

| | |
|-----------------|--|
| Material: | Polycarbonate UL94 V0 |
| Temp. range: | -40°C - 90°C |
| Adaptor: | D-Sub to RJ-45 |
| Locking screws: | Long jackscrews with moulded top for colour coding |
| Colour: | Black as standard, other colours upon request |



| TYPE | A | B | C |
|------|------|------|------|
| DA9 | 32,4 | 36,4 | 52,3 |
| DA15 | 40,7 | 30,7 | 47,3 |
| DA25 | 53,4 | 36,4 | 47,3 |

PART NUMBERING SYSTEM

DA25 - PMJ8 - GREEN - K

Series: _____
 DA
 Size: _____
 9, 15 and 25
 D-Sub contacts: _____
 PMJ8 = Male, pin version
 SMJ8 = Female, socket version

Packaging:
 K = Kit package
 BULK = Bulk package / 100 pcs
 Colour:
 Omit = Black
 Other colours available: beige, blue, brown, green, grey, ivory, red, white and yellow

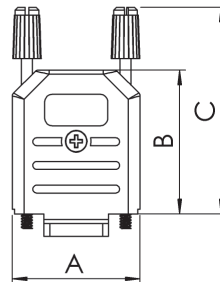
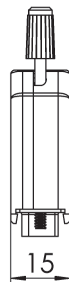
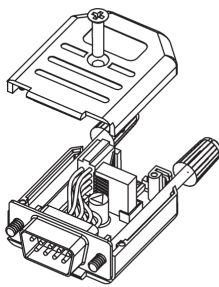
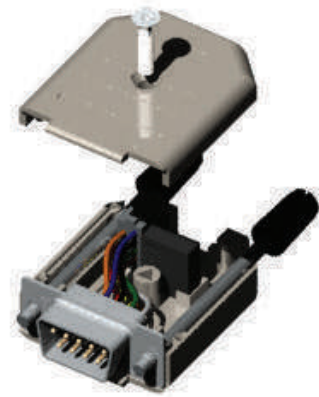
FEATURES

- Available in sizes 9, 15 and 25
- RJ-45 socket with wires and D-Sub contacts pre-mounted
- Coloured jackscrews and housing for coding
- Compact and attractive design
- Suitable for high-integrity data links
- Company logotype available upon request
- For custom designed solutions, please consult factory

Shielded D-Sub / RJ-45 Adaptor DAM Series

TECHNICAL SPECIFICATIONS

| | |
|---------------------|--|
| Material: | Polycarbonate UL94 V0, Ni-plated |
| Temp. range: | -40°C - 90°C |
| Adaptor: | D-Sub to RJ-45 |
| Locking screws: | Long jackscrews with moulded top for colour coding |
| Attenuation factor: | > 40 dB between 30 MHz and 1 GHz |



| TYPE | A | B | C |
|------|------|------|------|
| DA9 | 32,4 | 36,4 | 52,3 |
| DA15 | 40,7 | 30,7 | 47,3 |
| DA25 | 53,4 | 36,4 | 47,3 |

PART NUMBERING SYSTEM

DAM25 - PMJ8 - RED - K

Series: _____
 DAM
 Size: _____
 9, 15 and 25
 D-Sub contacts: _____
 PMJ8 = Male, pin version
 SMJ8 = Female, socket version

Packaging:
 K = Kit package
 BULK = Bulk / 100 pcs
 Colour (jackscrews):
 Omit = Black
 Other colours available: beige, blue, brown, green, grey, ivory, red, white and yellow

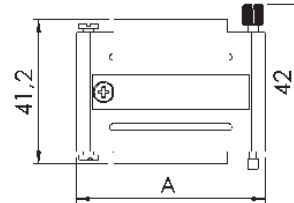
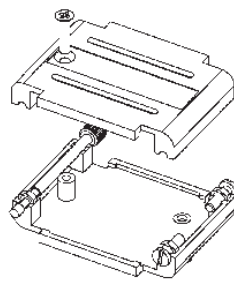
FEATURES

- Available in sizes 9, 15 and 25
- RJ-45 socket with wires and D-Sub contacts pre-mounted
- Shielded housing minimise interference from electromagnetic and RF sources
- Coloured jackscrews for colour coding
- Compact and attractive design
- Suitable for high-integrity data links
- Company logotype available upon request
- For custom designed solutions, please consult factory

Adaptor Hoods DAPK Series

TECHNICAL SPECIFICATIONS

| | |
|-----------------|--|
| Material: | Polycarbonate UL94 V0 |
| Temp. range: | -55°C - 105°C |
| Adapter: | D-Sub15 to D-Sub15 D-Sub25 to D-Sub25 |
| Locking screws: | Long jackscrews with internal and external thread or short fixed screws with UNC 4-40 thread |
| Colour: | Black as standard, other colours upon request |



| TYPE | A |
|--------|------|
| DAPK15 | 40,8 |
| DAPK25 | 54 |

PART NUMBERING SYSTEM

| | | | |
|---|----------------|-----|---|
| Series: _____ | DAPK25 - JSS - | - K | Packaging: |
| DAPK | | | K = Kit package |
| Size: _____ | | | BULK = Bulk package / 100 pcs |
| 15 or 25 | | | Colour: |
| Screw: _____ | | | Omit = Black |
| JSS = Long screw with internal and external UNC 4-40 thread | | | Other colour available: beige, blue, brown, |
| FS = Short fixed screw UNC 4-40 thread | | | green, grey, ivory, red, white and yellow |

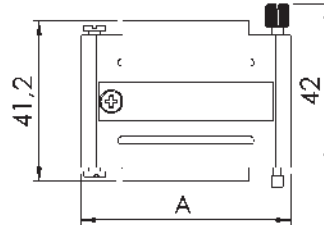
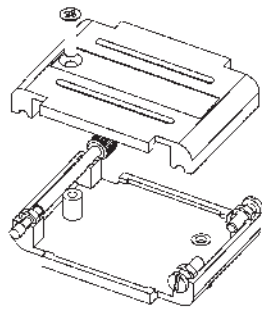
FEATURES

- Available in sizes 15- and 25-way
- Designed for gender changer, internal pcb or jumper
- Light weight and cost effective
- Compact and attractive design
- Suitable for any common D-Sub connector
- Company logotype available upon request
- For custom designed solutions, please consult factory

Adaptor Hoods DAPMK Series

TECHNICAL SPECIFICATIONS

| | |
|-----------------|--|
| Material: | ABS Plastic, Ni-plated |
| Temp. range: | -55°C - 105°C |
| Adapter: | D-Sub15 to D-Sub15 D-Sub25 to D-Sub25 |
| Locking screws: | Long jackscrews with internal and external thread or short fixed screws with UNC 4-40 thread |
| Finish: | Ni-plated surface |



| TYPE | A |
|--------|------|
| DAPK15 | 40,8 |
| DAPK25 | 54 |

PART NUMBERING SYSTEM

DAPMK25 - JSS - K

Series: _____
 DAPMK
 Size: _____
 15 or 25
 Screw: _____

JSS = Long screw with internal and external UNC 4-40 thread
 FS = Short fixed screw UNC 4-40 thread

Packaging:
 K = Kit package
 BULK = Bulk package / 100 pcs

FEATURES

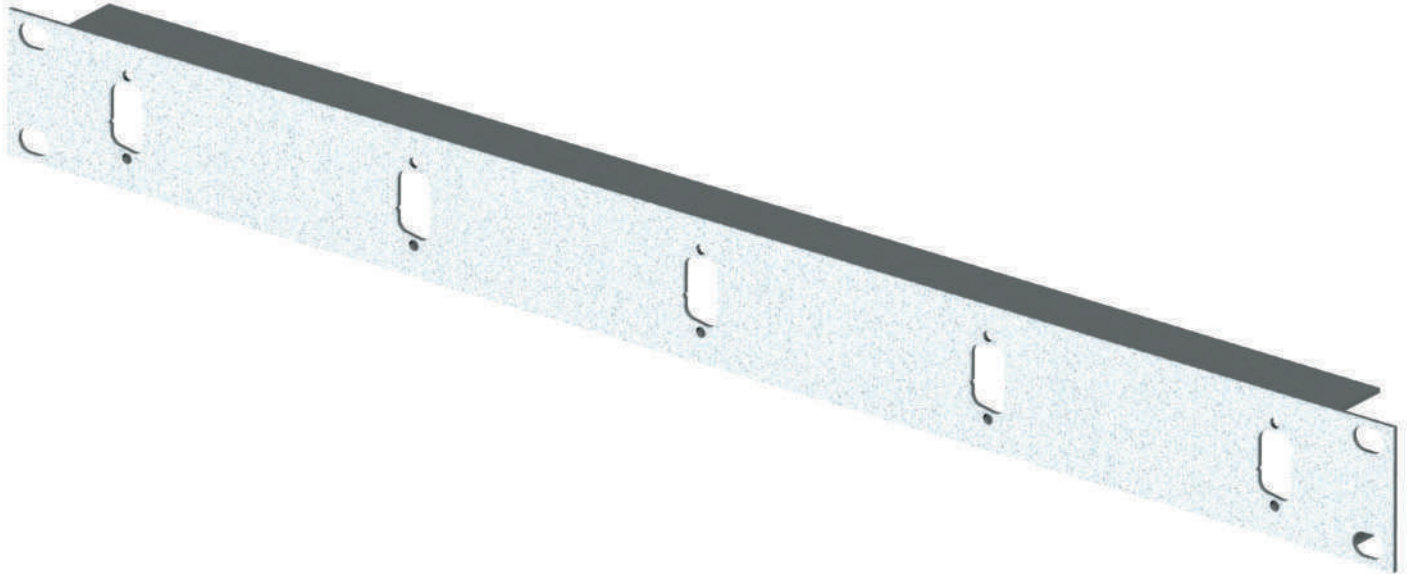
- Available in sizes 15- and 25-way
- Designed for gender changer, internal pcb or jumper
- Light weight and cost effective
- Compact and attractive design
- Suitable for high-integrity data links
- Suitable for any common D-Sub connector
- Company logotype available upon request
- For custom designed solutions, please consult factory

19" Patch Panels 1 HU KK1A Series

TECHNICAL SPECIFICATIONS

| | |
|------------|---|
| Material: | Extruded aluminium |
| Finish: | Anodised according E6 or painted RAL-colour |
| Dimension: | 1 HU = 44.0 mm |

See separate page for different connector cut-outs available



PART NUMBERING SYSTEM

KK1A - 16 - SUB-D9 - RAL7032

| | | | |
|--|-------|-------|--|
| Series: _____ KK1A | _____ | _____ | Colour: Omit = Anodised according E6 RAL = Indicate painting according RAL7032 |
| Number of connector cut-outs: _____ See separate list | _____ | _____ | Connector: See separate list |

FEATURES

- Light weight and cost effective
- Panel measures only 1.6 mm to fit any available snap-in connector
- Different connector styles can be configured on each panel
- For custom designed solutions, please consult factory
- Can be delivered with printed logotype and panel marking upon request

KK1A Panel Versions (1HU)

| Connector | Number of cut-outs | | | | |
|----------------------------|----------------------------|----|----|----|----|
| D-Sub09 | 8 | 10 | 12 | 16 | 20 |
| D-Sub15 | 8 | 10 | 12 | 16 | 20 |
| BNC-BU (8,9 x 9,7 mm) | 8 | 10 | 12 | 16 | 20 |
| BNC-IN (12,0 x 12,9 mm) | 8 | 10 | 12 | 16 | 20 |
| Twinax | 8 | | | | |
| DIN-Audio | 8 | 10 | 12 | 16 | |
| XLR | 8 | 10 | 12 | 16 | |
| RJ11 - 45 (12,9 x 14,8 mm) | 8 | 10 | 12 | 16 | |
| RJ11 - 45 (12,9 x 15,5 mm) | 8 | 10 | 12 | 16 | |
| RJ11 - 45 (14,8 x 20,1 mm) | 8 | 10 | 12 | 16 | |
| RJ11 - 45 (14,8 x 20,6 mm) | 8 | 10 | 12 | 16 | |
| RJ11 - 45 (20,3 x 20,3 mm) | 8 | 10 | 12 | 16 | |
| F-SMA (7,0 x 7,5 mm) | 8 | 10 | 12 | 16 | 20 |
| SC | 8 | 10 | 12 | 16 | 20 |
| SC-Duplex | 8 | 10 | 12 | | |
| ST (7,8 x 9,6 mm) | 8 | 10 | 12 | 16 | |
| ST-Duplex | 8 | 10 | 12 | | |
| D-11 | Blank panel | | | | |
| SIG-S | Identification label strip | | | | |

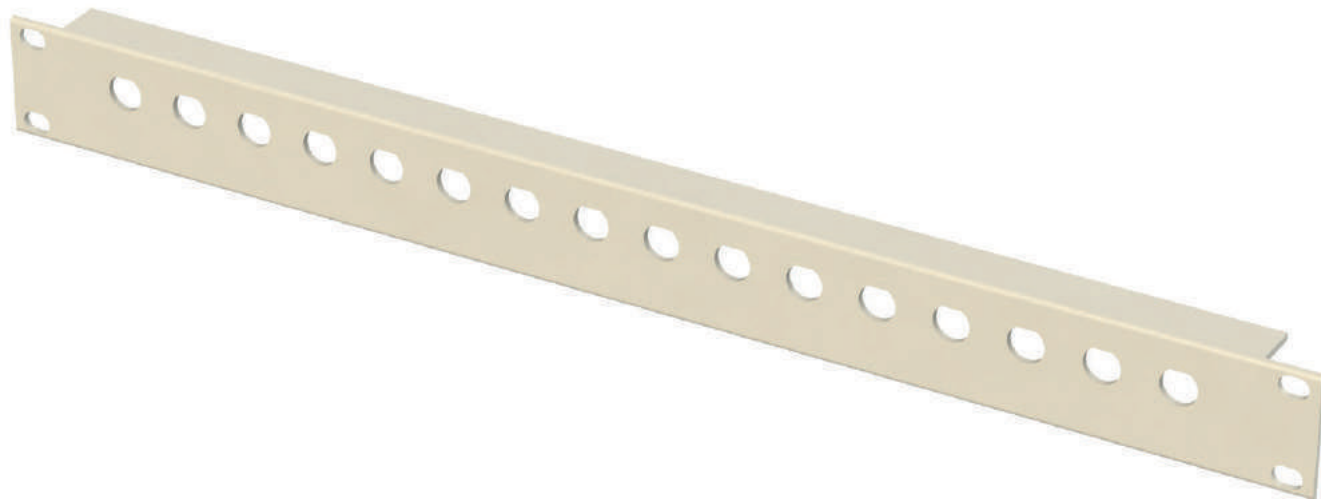
Consult factory when ordering printed and or painted panels for layout and part number.

19" Patch Panels 1 HU KK1P Series

TECHNICAL SPECIFICATIONS

| | |
|------------|--------------------------------------|
| Material: | 2.5 mm extruded polymer profile (PS) |
| Colour: | Grey, 4103 GY 30 |
| Dimension: | 1 HU = 44.0 mm |

See separate page for different connector cut-outs available



PART NUMBERING SYSTEM

KK1P - 16 - BNC-IN

| | | |
|--------------|---|------------------------------|
| Series: KK1P | Number of connector cut-outs: See separate list | Connector: See separate list |
|--------------|---|------------------------------|

FEATURES

- Light weight and cost effective
- Panel measures only 2.5 mm
- Different connector styles can be configured on each panel
- For custom designed solutions, please consult factory
- Can be delivered with identification label strip upon request

KK1P Panel Versions (1HU)

| Connector | Number of cut-outs | | | | |
|----------------------------|----------------------------|----|----|----|----|
| D-Sub09 | 8 | 10 | 12 | 16 | 20 |
| D-Sub15 | 8 | 10 | 12 | 16 | 20 |
| BNC-BU (8,9 x 9,7 mm) | 8 | 10 | 12 | 16 | 20 |
| BNC-IN (12,0 x 12,9 mm) | 8 | 10 | 12 | 16 | 20 |
| Twinax | 8 | | | | |
| DIN-Audio | 8 | 10 | 12 | 16 | |
| XLR | 8 | 10 | 12 | 16 | |
| RJ11 - 45 (12,9 x 14,8 mm) | 8 | 10 | 12 | 16 | |
| RJ11 - 45 (12,9 x 15,5 mm) | 8 | 10 | 12 | 16 | |
| RJ11 - 45 (14,8 x 20,1 mm) | 8 | 10 | 12 | 16 | |
| RJ11 - 45 (14,8 x 20,6 mm) | 8 | 10 | 12 | 16 | |
| RJ11 - 45 (20,3 x 20,3 mm) | 8 | 10 | 12 | 16 | |
| F-SMA (7,0 x 7,5 mm) | 8 | 10 | 12 | 16 | 20 |
| SC | 8 | 10 | 12 | 16 | 20 |
| SC-Duplex | 8 | 10 | 12 | | |
| ST (7,8 x 9,6 mm) | 8 | 10 | 12 | 16 | |
| ST-Duplex | 8 | 10 | 12 | | |
| D-11 | Blank panel | | | | |
| SIG-S | Identification label strip | | | | |

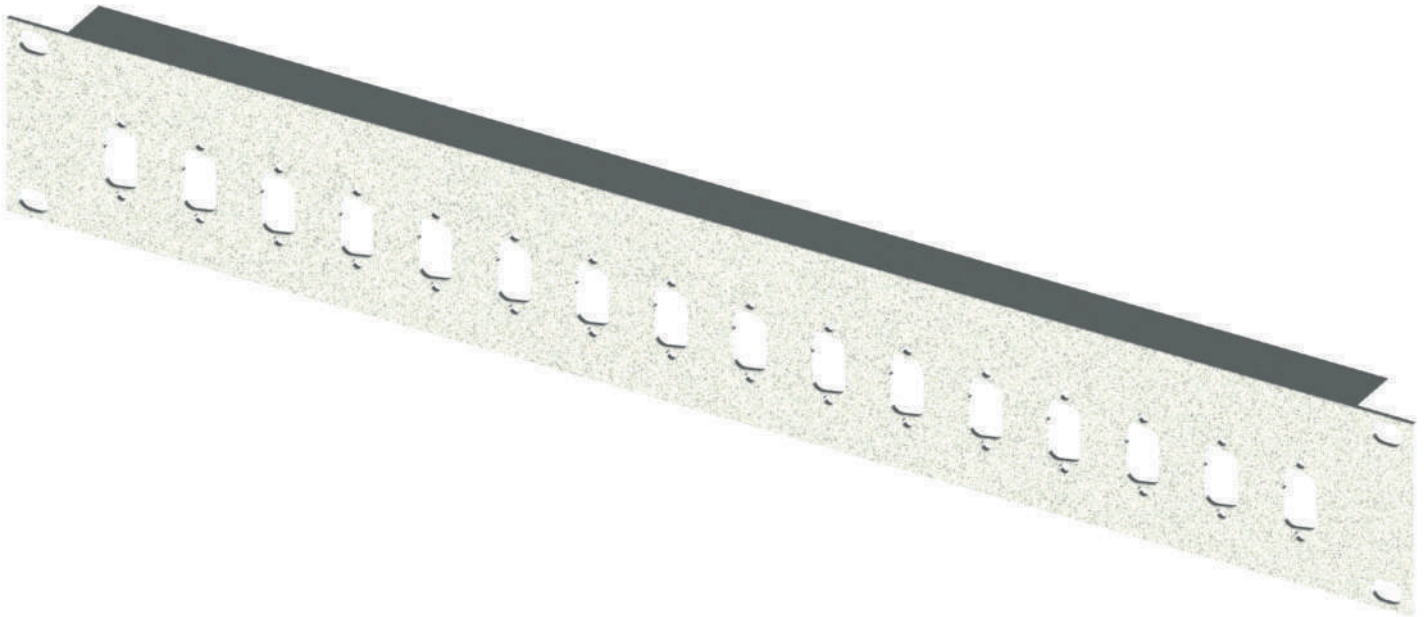
Consult factory when ordering panels with different connector cut-outs on each panel for correct part number identification.

19" Patch Panels 1.5 HU KK1.5A Series

TECHNICAL SPECIFICATIONS

| | |
|------------|---|
| Material: | Extruded aluminium |
| Finish: | Anodised according E6 or painted RAL-colour |
| Dimension: | 1.5 HU = 66.0 mm |

See separate page for different connector cut-outs available



PART NUMBERING SYSTEM

KK1.5A - 16 - SUB-D9 - RAL7032

| | | | |
|-------------------|----------------------------------|-------------------|-----------------|
| Series: KK1.5A | Number of connector cut-outs: 16 | Connector: SUB-D9 | Colour: RAL7032 |
| See separate list | | See separate list | |

FEATURES

- Light weight and cost effective
- Panel measures only 1.6 mm to fit any available snap-in connector
- Different connector styles can be configured on each panel
- For custom designed solutions, please consult factory
- Can be delivered with printed logotype and panel marking upon request

KK1.5A Panel Versions (1.5 HU)

| Connector | Number of cut-outs | | | | |
|----------------------------|----------------------------|----|----|----|----|
| D-Sub09 | 8 | 10 | 12 | 16 | 20 |
| D-Sub15 | 8 | 10 | 12 | 16 | 20 |
| BNC-BU (8,9 x 9,7 mm) | 8 | 10 | 12 | 16 | 20 |
| BNC-IN (12,0 x 12,9 mm) | 8 | 10 | 12 | 16 | 20 |
| Twinax | 8 | | | | |
| DIN-Audio | 8 | 10 | 12 | 16 | |
| XLR | 8 | 10 | 12 | 16 | |
| RJ11 - 45 (12,9 x 14,8 mm) | 8 | 10 | 12 | 16 | |
| RJ11 - 45 (12,9 x 15,5 mm) | 8 | 10 | 12 | 16 | |
| RJ11 - 45 (14,8 x 20,1 mm) | 8 | 10 | 12 | 16 | |
| RJ11 - 45 (14,8 x 20,6 mm) | 8 | 10 | 12 | 16 | |
| RJ11 - 45 (20,3 x 20,3 mm) | 8 | 10 | 12 | 16 | |
| F-SMA (7,0 x 7,5 mm) | 8 | 10 | 12 | 16 | 20 |
| SC | 8 | 10 | 12 | 16 | 20 |
| SC-Duplex | 8 | 10 | 12 | | |
| ST (7,8 x 9,6 mm) | 8 | 10 | 12 | 16 | |
| ST-Duplex | 8 | 10 | 12 | | |
| D-11 | Blank panel | | | | |
| SIG-S | Identification label strip | | | | |

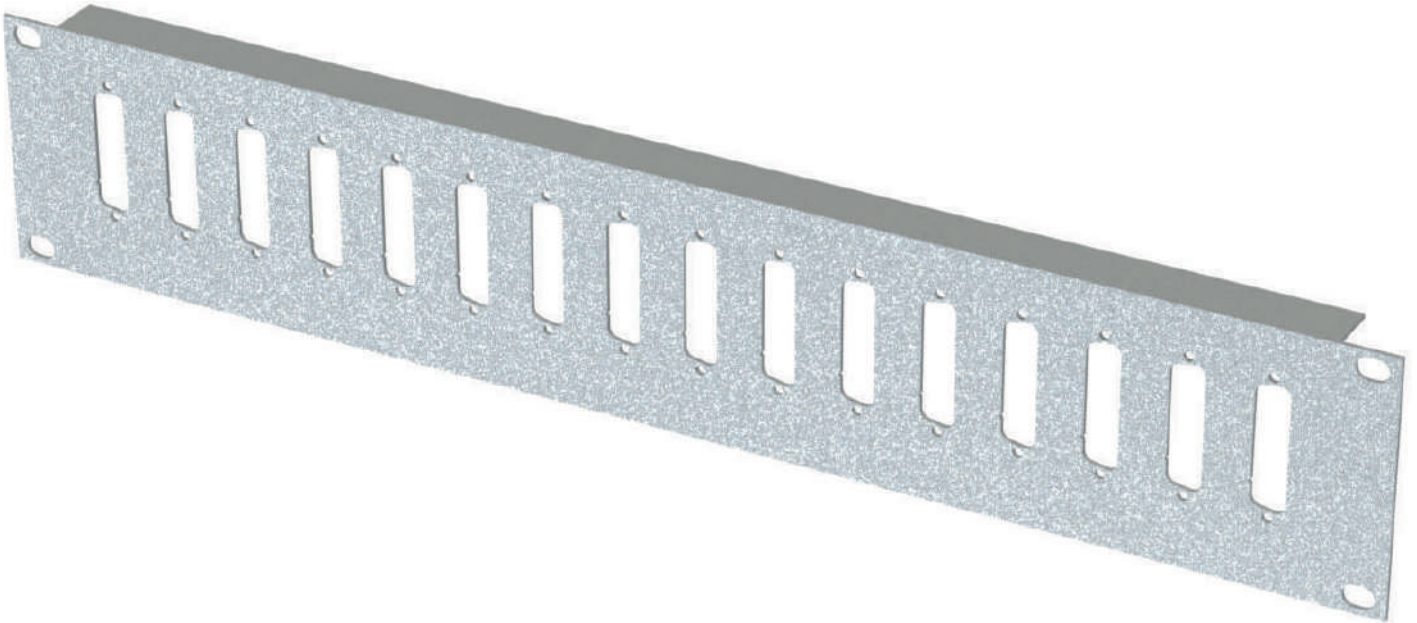
Consult factory when ordering printed and or painted panels for layout and part number

19" Patch Panels 2 HU KK2A Series

TECHNICAL SPECIFICATIONS

| | |
|------------|---|
| Material: | Extruded aluminium |
| Finish: | Anodised according E6 or painted RAL-colour |
| Dimension: | 2 HU = 88.0 mm |

See separate page for different connector cut-outs available



PART NUMBERING SYSTEM

KK2A - 32 - SUB-D9 - RAL7032

| | | | |
|--|-------|-------|--|
| Series: _____ KK2A | _____ | _____ | Colour: Omit = Anodised according E6 RAL = Indicate painting according RAL7032 |
| Number of connector cut-outs: _____ See separate list | _____ | _____ | Connector: See separate list |

FEATURES

- Light weight and cost effective
- Panel measures only 1.6 mm to fit any available snap-in connector
- Different connector styles can be configured on each panel
- For custom designed solutions, please consult factory
- Can be delivered with printed logotype and panel marking upon request

KK2A Panel Versions (2 HU)

| Connector | Number of cut-outs | | | | | |
|----------------------------|----------------------------|----|----|----|----|-------|
| D-Sub09 | 8 | 10 | 12 | 16 | 20 | |
| D-Sub15 | 8 | 10 | 12 | 16 | 20 | |
| D-Sub25 | 8 | 10 | 12 | 16 | 20 | |
| BNC-BU (8,9 x 9,7 mm) | 8 | 10 | 12 | 16 | 20 | 24 32 |
| BNC-IN (12,0 x 12,9 mm) | 8 | 10 | 12 | 16 | 20 | 24 32 |
| Twinax | 8 | 10 | 12 | 16 | | |
| DIN-Audio | 8 | 10 | 12 | 16 | 20 | 24 32 |
| XLR | 8 | 10 | 12 | 16 | 20 | 24 32 |
| RJ11 - 45 (12,9 x 14,8 mm) | 8 | 10 | 12 | 16 | 20 | 24 32 |
| RJ11 - 45 (12,9 x 15,5 mm) | 8 | 10 | 12 | 16 | 20 | 24 32 |
| RJ11 - 45 (14,8 x 20,1 mm) | 8 | 10 | 12 | 16 | 20 | 24 32 |
| RJ11 - 45 (14,8 x 20,6 mm) | 8 | 10 | 12 | 16 | 20 | 24 32 |
| RJ11 - 45 (20,3 x 20,3 mm) | 8 | 10 | 12 | 16 | 20 | 24 32 |
| F-SMA (7,0 x 7,5 mm) | 18 | 20 | 24 | 32 | 40 | |
| SC | 18 | 20 | 24 | 32 | 40 | |
| SC-Duplex | 18 | 20 | 24 | | | |
| ST (7,8 x 9,6 mm) | 18 | 20 | 24 | 32 | | |
| ST-Duplex | 18 | 20 | 24 | | | |
| D-11 | Blank panel | | | | | |
| SIG-S | Identification label strip | | | | | |

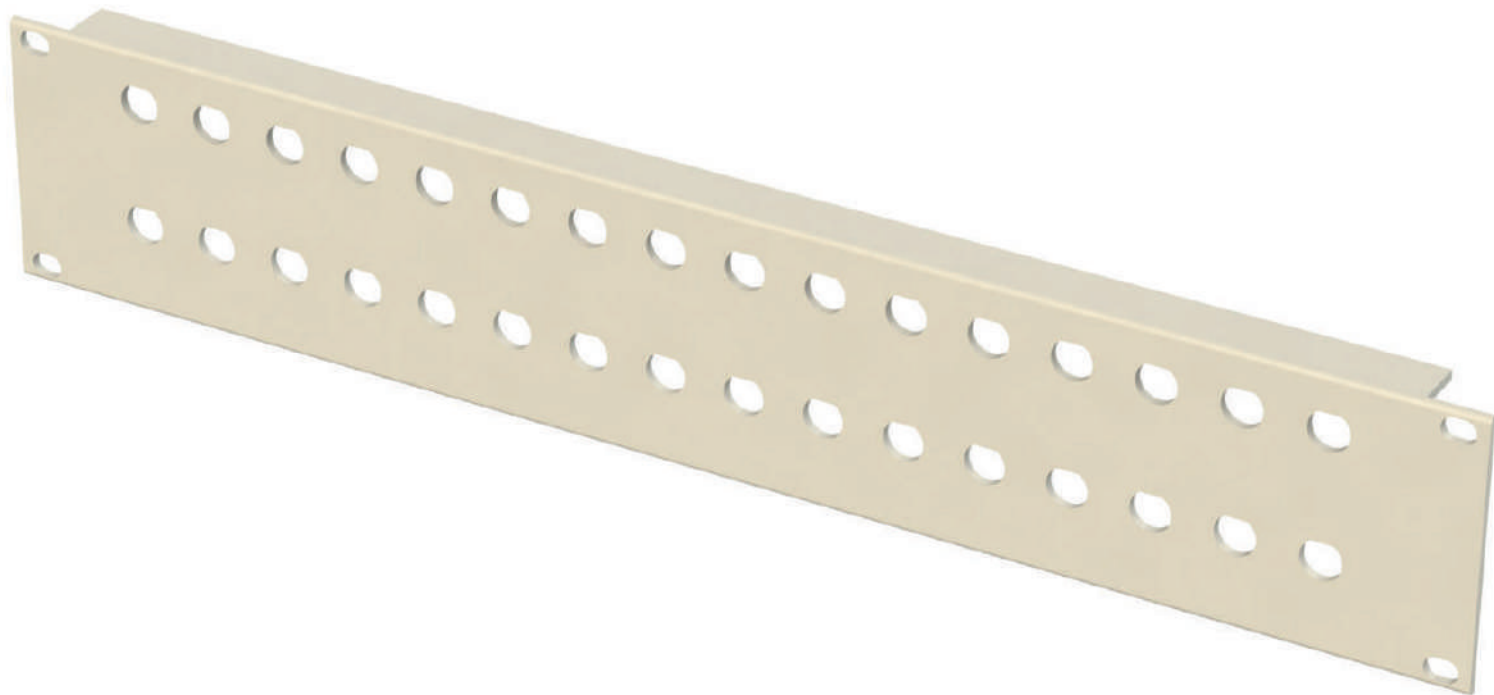
Consult factory when ordering printed and or painted panels for layout and part number.

19" Patch Panels 2 HU KK2P Series

TECHNICAL SPECIFICATIONS

Material: 2.5 mm extruded polymer profile (PS)
Colour: Grey, 4103 GY 30
Dimension: 2 HU = 88.0 mm

See separate page for different connector cut-outs available



PART NUMBERING SYSTEM

KK2P - 32 - BNC-BU

Series: _____
KK2P
Number of connector cut-outs: _____
See separate list

Connector:
See separate list

FEATURES

- Light weight and cost effective
- Panel measures only 2.5 mm
- Different connector styles can be configured on each panel
- For custom designed solutions, please consult factory
- Can be delivered with identification label strip upon request

KK2P Panel Versions (2 HU)

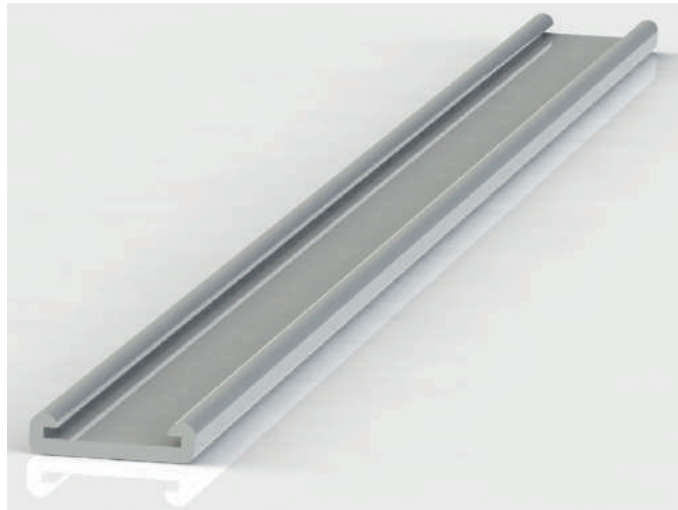
| Connector | Number of cut-outs | | | | | | |
|-------------------------|----------------------------|----|----|----|----|----|----|
| D-Sub09 | 8 | 10 | 12 | 16 | 20 | | |
| D-Sub15 | 8 | 10 | 12 | 16 | 20 | | |
| D-Sub25 | 8 | 10 | 12 | 16 | 20 | | |
| BNC-BU (8,9 x 9,7 mm) | 8 | 10 | 12 | 16 | 20 | 24 | 32 |
| BNC-IN (12,0 x 12,9 mm) | 8 | 10 | 12 | 16 | 20 | 24 | 32 |
| Twinax | 8 | 10 | 12 | 16 | | | |
| DIN-Audio | 8 | 10 | 12 | 16 | 20 | 24 | 32 |
| XLR | 8 | 10 | 12 | 16 | 20 | 24 | 32 |
| D-11 | Blank panel | | | | | | |
| SIG-S | Identification label strip | | | | | | |

Consult factory when ordering panels with different connector cut-outs on each panel for correct part number identification.

SIG-S Patch Panels Accessory

TECHNICAL SPECIFICATIONS

| | |
|-------------|----------------------------|
| Material: | Extruded aluminium |
| Finish: | Anodised according to E6 |
| Dimensions: | 430 mm long and 15 mm wide |



PART NUMBERING SYSTEM

SIG-S

Series:
SIG-S

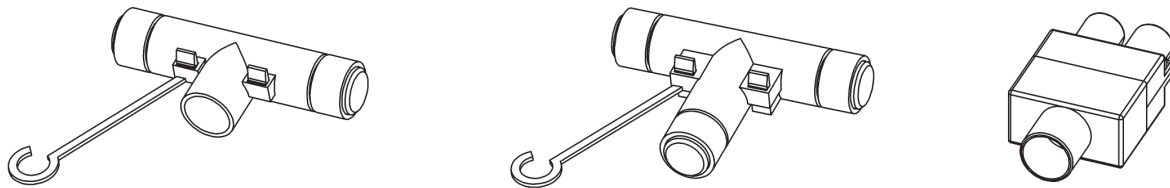
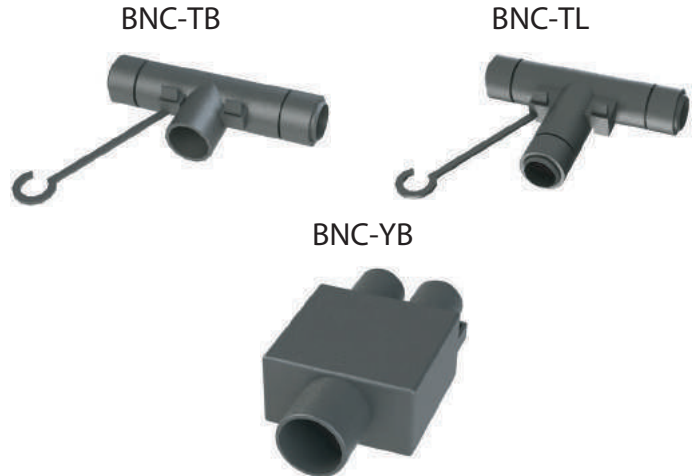
FEATURES

- Extruded aluminium with anodised surface
- Each SIG-S is supplied with paper and plastic strip for marking connector cut-outs
- Delivered as an accessory for KK1A, KK1P, KK1,5A, KK2A and KK2P
- For one row panels is one SIG-S needed, for two row panels is two SIG-S needed
- When ordering 19" patch panels, SIG-S can be assembled from factory

BNC Covers TB / TL / YB Series

TECHNICAL SPECIFICATIONS

| | |
|---------------|---|
| Material: | Nylon UL94 V2 |
| Temp. range: | -40°C - 90°C |
| Applications: | BNC-T connector (cable) BNC-T connector (panel) BNC-Y connector (cable) |
| Colour: | Black or yellow |



PART NUMBERING SYSTEM

BNC - TB - - K

Series: _____
 BNC
 Connector: _____
 TB = BNC-T Panel
 TL = BNC-T Cable
 YB = BNC-Y Cable

Packaging:
 K = Kit package
 BULK = Bulk / 100 pcs
 Colour:
 Omit = Black
 Yellow = Yellow

FEATURES

- Moulded in Nylon UL94 V2
- Conforms to IEEE 802.3 Thin Ethernet
- Snap assembly with locking rings
- Easily fitted after network is completed
- Outer insulation to protect from ground currents

M12 Circular connectors, mating face according to IEC 61076-2-101

| Coding | Male | Female | Coding | Male | Female |
|-------------------|------|--------|-------------------|------|--------|
| A-Coding 3-way | | | C-Coding 3-way | | |
| 4-way | | | 4-way | | |
| 5-way | | | 5-way | | |
| 8-way | | | D-Coding 4-way | | |
| B-Coding 5-way | | | P-Coding 5-way | | |

Litz wire colours M12 device plug-in connector

Assignment Signal M12 male / female

| Pin | A-Coded 4 pos. | D-Coded 4-pos. |
|-----|----------------|----------------|
| 1 | BN | YE |
| 2 | WH | WH |
| 3 | BU | OG |
| 4 | BK | BU |
| | | |
| Pin | A-Coded 5 pos. | B-Coded 5 pos. |
| 1 | BN | BN |
| 2 | WH | WH |
| 3 | BU | BU |
| 4 | BK | BK |
| 5 | GY | GY |

| A-Coded 8 pos. | |
|----------------|----|
| 1 | WH |
| 2 | BN |
| 3 | GN |
| 4 | YE |
| 5 | GY |
| 6 | PK |
| 7 | BU |
| 8 | RD |

| A-Coded 5-pos. CANopen [®] | |
|-------------------------------------|----------------|
| 1 | Shield (Drain) |
| 2 | RD (V+) |
| 3 | BK (V-) |
| 4 | WH (CAN_H) |
| 5 | BU (CAN_L) |

| A-Coded 5-pos. DeviceNet | |
|--------------------------|----------------|
| 1 | Shield (Drain) |
| 2 | RD (V+) |
| 3 | BK (V-) |
| 4 | WH (CAN_H) |
| 5 | BU (CAN_L) |

| A-Coded 8-pos. Ethernet | |
|-------------------------|------------|
| 1 | WHBU (D3-) |
| 2 | WHBN (D4+) |
| 3 | BN (D4-) |
| 4 | OG (D1-) |
| 5 | WHGN (D2+) |
| 6 | WHOG (D1+) |
| 7 | BU (D3+) |
| 8 | GN (D2-) |

| A-Coded 8-pos. Varan | |
|----------------------|------------|
| 1 | X |
| 2 | OG (TD-) |
| 3 | WHOG (TD+) |
| 4 | X |
| 5 | WHGN (RD+) |
| 6 | BU |
| 7 | BN |
| 8 | GN (RD-) |

| A-Coded 4-pos. AS-Interface | |
|-----------------------------|------------|
| 1 | BU (AS-i+) |
| 2 | WH |
| 3 | BN (AS-i-) |
| 4 | BK |

| A-Coded 4-pos. CC-Link | |
|------------------------|----------------|
| 1 | Shield (Drain) |
| 2 | WH (DB) |
| 3 | YE (DG) |
| 4 | BU (DA) |

| A-Coded 4-pos. Fieldbus | |
|-------------------------|----------------|
| 1 | BU (DATA-) |
| 2 | OG (DATA+) |
| 3 | Shield (Drain) |
| 4 | X |

| B-Coded 5-pos. PROFIBUS | |
|-------------------------|------------------|
| 1 | X |
| 2 | GN (A cable) |
| 3 | X |
| 4 | RD (B cable) |
| 5 | Filler litz wire |

| B-Coded 5-pos. INTERBUS | |
|-------------------------|----------|
| 1 | YE (DO) |
| 2 | GN (DO) |
| 3 | GY (DI) |
| 4 | PK (DI) |
| 5 | BN (COM) |
| X | WH (NC) |

| D-Coded 4-pos. PROFINET | |
|-------------------------|----------|
| 1 | YE (TD+) |
| 2 | WH (RD+) |
| 3 | OG (TD-) |
| 4 | BU (RD-) |

| D-Coded 4-pos. Ethernet | |
|-------------------------|------------|
| 1 | WHOG (TD+) |
| 2 | WHGN (RD+) |
| 3 | OG (TD-) |
| 4 | GN (RD-) |

M12 Connector System: A-coded field attachable cable connectors

Male



EMI/RFI shielded cable connector with crimp contacts

| Number of contacts | Gender | Cable diameter | Conductor cross section | Part number |
|----------------------------|--------|----------------|-------------------------|-------------|
| 3 | Male | 4 - 8 mm | AWG 24-20 | M12SC24P3AC |
| 4 | Male | 4 - 8 mm | AWG 24-20 | M12SC24P4AC |
| 5 | Male | 4 - 8 mm | AWG 24-20 | M12SC24P5AC |
| 8 | Male | 4 - 8 mm | AWG 24-22 | M12SC24P8AC |
| 0 (3 - 5 contacts housing) | Male | 4 - 8 mm | n.a. | M12SP05AC |
| 0 (8 contacts housing) | Male | 4 - 8 mm | n.a. | M12SP08AC |

M12 turned crimp contacts

| Housing | Gender | Contact diameter | Conductor cross section | Part number |
|----------------|--------|------------------|-------------------------|-------------|
| 3 - 5 contacts | Male | 1.0 mm | AWG 24-20 | M12MC24 |
| 8 contacts | Male | 0.8 mm | AWG 24-22 | M12MC248 |

Conductor cross section

| AWG # | Area mm ² |
|-----------|-----------------------------|
| AWG 24-20 | 0,21 - 0,52 mm ² |
| AWG 24-22 | 0,21 - 0,33 mm ² |

M12 Connector System: A-coded field attachable cable connectors

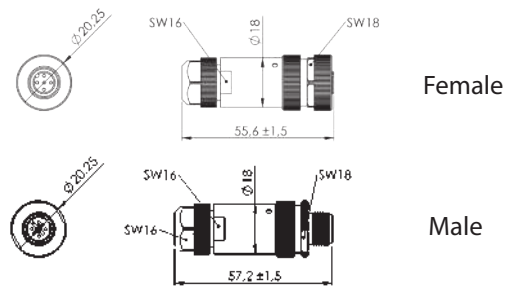
Female



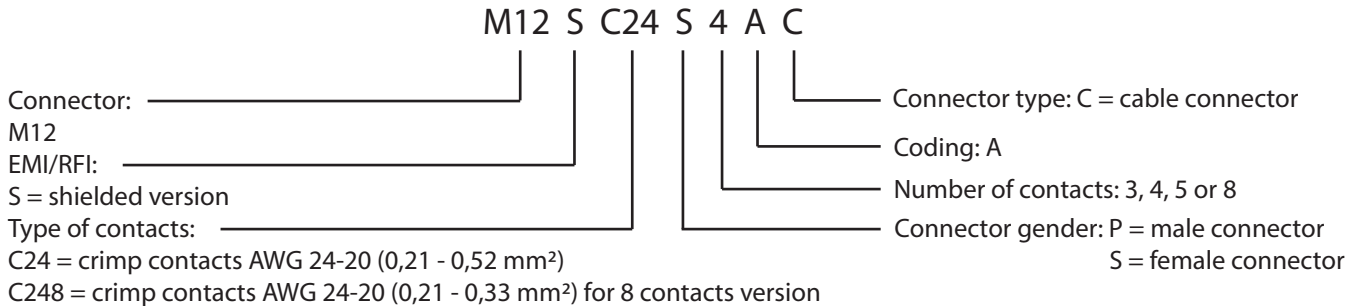
| EMI/RFI shielded cable connector with crimp contacts | | | | |
|--|-----------------------------|------------------|-------------------------|-------------|
| Number of contacts | Gender | Cable diameter | Conductor cross section | Part number |
| 3 | Female | 4 - 8 mm | AWG 24-20 | M12SC24S3AC |
| 4 | Female | 4 - 8 mm | AWG 24-20 | M12SC24S4AC |
| 5 | Female | 4 - 8 mm | AWG 24-20 | M12SC24S5AC |
| 8 | Female | 4 - 8 mm | AWG 24-22 | M12SC24S8AC |
| 0 (3 - 5 contacts housing) | Female | 4 - 8 mm | n.a. | M12SS05AC |
| 0 (8 contacts housing) | Female | 4 - 8 mm | n.a. | M12SS08AC |
| M12 turned crimp contacts | | | | |
| Housing | Gender | Contact diameter | Conductor cross section | Part number |
| 3 - 5 contacts | Female | 1.0 mm | AWG 24-20 | M12FC24 |
| 8 contacts | Female | 0.8 mm | AWG 24-22 | M12FC248 |
| Conductor cross section | | | | |
| AWG # | Area mm ² | | | |
| AWG 24-20 | 0,21 - 0,52 mm ² | | | |
| AWG 24-22 | 0,21 - 0,33 mm ² | | | |

Circular M12 Connectors M12SCC Series

EMI/RFI shielded field installable cable connector with crimp contacts



PART NUMBERING SYSTEM



TECHNICAL SPECIFICATIONS

General values

| | |
|------------------|--|
| Connector design | Cable connector |
| Locking system | M12 x 1 |
| Termination | Crimp |
| Wire gauge | 0,21 - 0,52 mm ² (3 - 5 contacts) 0,21 - 0,33 mm ² (8 contacts) |
| Cable outlet | 4 - 8 mm |
| Temp. range | -30°C to 80°C IEC 60664-1 |
| IP rating | IP67 IEC 60529 |
| Mounting torque | 60 Ncm |

Electrical values

| | | |
|-------------------|------------------------|--------------|
| Rated voltage | 250 V (3 - 4 contacts) | |
| IEC 61076-2-101 | 60 V (5 contacts) | |
| | 30 V (8 contacts) | |
| Rated current | 4 A (3 - 5 contacts) | |
| IEC 61076-2-101 | 2 A (8 contacts) | |
| Volume resistance | ≤ 8mΩ | |
| Mating cycles | > 100 | IEC 60512-9A |
| Pollution degree | 3 | IEC 60664-1 |

Material

| | |
|-----------------------|-----------------------|
| Material of contact | CuZn, Brass alloy |
| Contact plating | Au over Ni |
| Contact body material | PA, Polyamide |
| Housing material | CuZn, Brass alloy |
| Plating housing | Ni-plated, Ni over Cu |
| Cable seale | TPE |
| O-ring | FKM |

M12 Connector System: A-coded panel connectors

Male



Rear panel mounting connector with crimp contacts

| Number of contacts | Gender | Panel thickness | Conductor cross section | Part number |
|-----------------------|--------|-----------------|-------------------------|--------------|
| 3 | Male | < 4 mm | AWG 24-20 | M12SC24P3ARP |
| 4 | Male | < 4 mm | AWG 24-20 | M12SC24P4ARP |
| 5 | Male | < 4 mm | AWG 24-20 | M12SC24P5ARP |
| 8 | Male | < 4 mm | AWG 24-22 | M12SC24P8ARP |
| 0 (3 - 5 way housing) | Male | < 4 mm | n.a. | M12SCP05RP |
| 0 (8 way housing) | Male | < 4 mm | n.a. | M12SCP08RP |

Front panel mounting connector with crimp contacts

| Number of contacts | Gender | Panel thickness | Conductor cross section | Part number |
|-----------------------|--------|-----------------|-------------------------|--------------|
| 3 | Male | < 4 mm | AWG 24-20 | M12SC24P3AFP |
| 4 | Male | < 4 mm | AWG 24-20 | M12SC24P4AFP |
| 5 | Male | < 4 mm | AWG 24-20 | M12SC24P5AFP |
| 8 | Male | < 4 mm | AWG 24-22 | M12SC24P8AFP |
| 0 (3 - 5 way housing) | Male | < 4 mm | n.a. | M12SCP05FP |
| 0 (8 way housing) | Male | < 4 mm | n.a. | M12SCP08FP |

M12 turned crimp contacts

| Housing | Gender | Contact diameter | Conductor cross section | Part number |
|-----------|--------|------------------|-------------------------|-------------|
| 3 - 5 way | Male | 1.0 mm | AWG 24-20 | M12MC24 |
| 8 way | Male | 0.8 mm | AWG 24-22 | M12MC248 |

Conductor cross section

| AWG # | Area mm ² |
|-----------|-----------------------------|
| AWG 24-20 | 0,21 - 0,52 mm ² |
| AWG 24-22 | 0,21 - 0,33 mm ² |

M12 Connector System: A-coded panel connectors

Female



| Rear panel mounting connector with crimp contacts | | | | |
|---|--------|-----------------|-------------------------|--------------|
| Number of contacts | Gender | Panel thickness | Conductor cross section | Part number |
| 3 | Female | < 4 mm | AWG 24-20 | M12SC24S3ARP |
| 4 | Female | < 4 mm | AWG 24-20 | M12SC24S4ARP |
| 5 | Female | < 4 mm | AWG 24-20 | M12SC24S5ARP |
| 8 | Female | < 4 mm | AWG 24-22 | M12SC24S8ARP |
| 0 (3 - 5 way housing) | Female | < 4 mm | n.a. | M12SCS05RP |
| 0 (8 way housing) | Female | < 4 mm | n.a. | M12SCS08RP |



| Front panel mounting connector with crimp contacts | | | | |
|--|--------|-----------------|-------------------------|--------------|
| Number of contacts | Gender | Panel thickness | Conductor cross section | Part number |
| 3 | Female | < 4 mm | AWG 24-20 | M12SC24S3AFP |
| 4 | Female | < 4 mm | AWG 24-20 | M12SC24S4AFP |
| 5 | Female | < 4 mm | AWG 24-20 | M12SC24S5AFP |
| 8 | Female | < 4 mm | AWG 24-22 | M12SC24S8AFP |
| 0 (3 - 5 way housing) | Female | < 4 mm | n.a. | M12SCS05FP |
| 0 (8 way housing) | Female | < 4 mm | n.a. | M12SCS08FP |

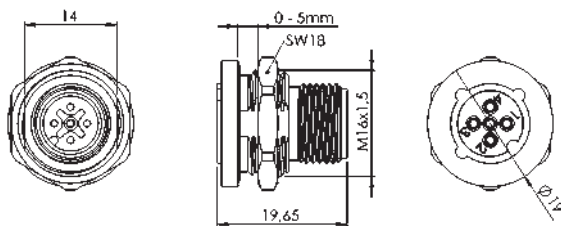


| M12 turned crimp contacts | | | | |
|---------------------------|--------|------------------|-------------------------|-------------|
| Housing | Gender | Contact diameter | Conductor cross section | Part number |
| 3 - 5 way | Female | 1.0 mm | AWG 24-20 | M12FC24 |
| 8 way | Female | 0.8 mm | AWG 24-22 | M12FC248 |

| Conductor cross section | |
|-------------------------|-----------------------------|
| AWG # | Area mm ² |
| AWG 24-20 | 0,21 - 0,52 mm ² |
| AWG 24-22 | 0,21 - 0,33 mm ² |

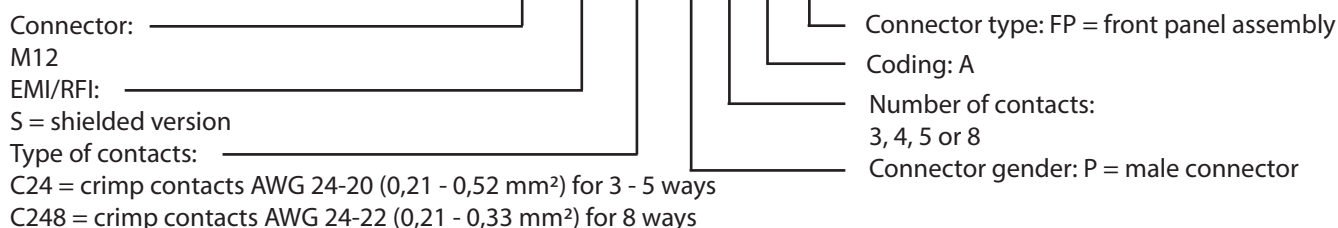
M12 Connectors A-Coded M12CFP Series

EMI/RFI shielded male panel connector front assembly with crimp contacts



PART NUMBERING SYSTEM

M12 S C24 P 4 A FP



TECHNICAL SPECIFICATIONS

General values

| | |
|------------------|--|
| Connector design | Male panel connector |
| Locking system | M12 x 1 |
| Termination | Crimp |
| Wire gauge | 0,21 - 0,52 mm ² (3 - 5 ways) 0,21 - 0,33 mm ² (8 ways) |
| Panel thickness | ≤ 4 mm |
| Temp. range | -25°C to 85°C IEC 60664-1 |
| IP rating | IP67 IEC 60529 |
| Mounting torque | 60 Ncm |

Electrical values

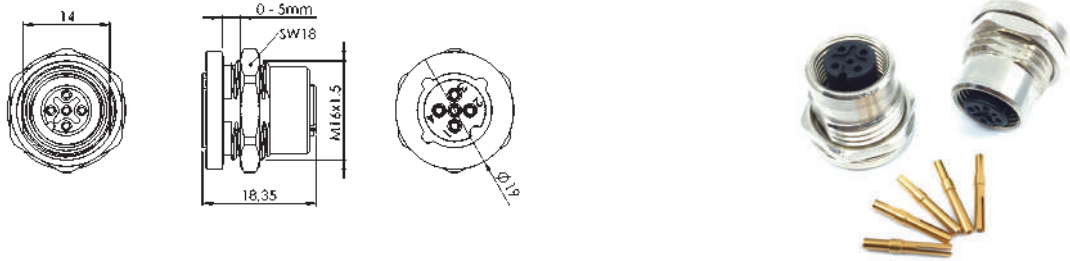
| | |
|-------------------|--|
| Rated voltage | 250 V (3 - 4 contacts) |
| IEC 61076-2-101 | 60 V (5 contacts) 30 V (8 contacts) |
| Rated current | 4 A (3 - 5 contacts) 2 A (8 contacts) |
| IEC 61076-2-101 | |
| Volume resistance | ≤ 8mΩ |
| Mating cycles | > 100 IEC 60512-9A |
| Pollution degree | 3 IEC 60664-1 |

Material

| | |
|-----------------------|-----------------------|
| Material of contact | CuZn, Brass alloy |
| Contact plating | Au-plated, Au over Ni |
| Contact body material | PA, Polyamide |
| Housing material | CuZn, Brass alloy |
| Plating housing | Ni-plated, Ni over Cu |
| O-ring | FKM |

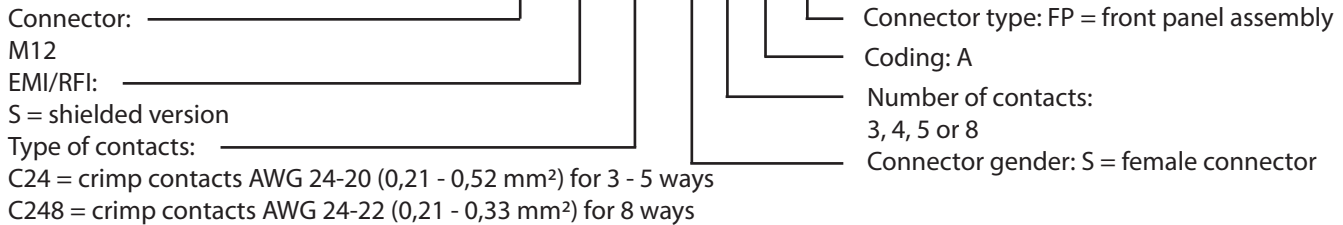
M12 Connectors A-Coded M12CFP Series

EMI/RFI shielded female panel connector front assembly with crimp contacts



PART NUMBERING SYSTEM

M12 S C24 S 4 A FP



TECHNICAL SPECIFICATIONS

General values

| | |
|------------------|--|
| Connector design | Female panel connector |
| Locking system | M12 x 1 |
| Termination | Crimp |
| Wire gauge | 0,21 - 0,52 mm ² (3 - 5 ways) 0,21 - 0,33 mm ² (8 ways) |
| Panel thickness | ≤ 4 mm |
| Temp. range | -25°C to 85°C IEC 60664-1 |
| IP rating | IP67 IEC 60529 |
| Mounting torque | 60 Ncm |

Electrical values

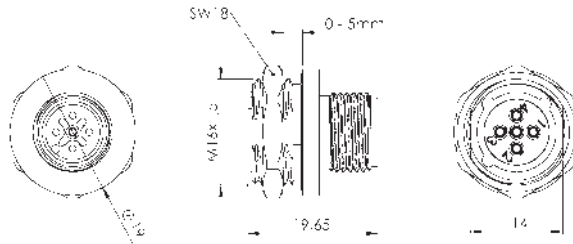
| | |
|-------------------|--|
| Rated voltage | 250 V (3 - 4 contacts) |
| IEC 61076-2-101 | 60 V (5 contacts) 30 V (8 contacts) |
| Rated current | 4 A (3 - 5 contacts) |
| IEC 61076-2-101 | 2 A (8 contacts) |
| Volume resistance | ≤ 8mΩ |
| Mating cycles | > 100 IEC 60512-9A |
| Pollution degree | 3 IEC 60664-1 |

Material

| | |
|-----------------------|-----------------------|
| Material of contact | CuZn, Brass alloy |
| Contact plating | Au-plated, Au over Ni |
| Contact body material | PA, Polyamide |
| Housing material | CuZn, Brass alloy |
| Plating housing | Ni-plated, Ni over Cu |
| O-ring | FKM |

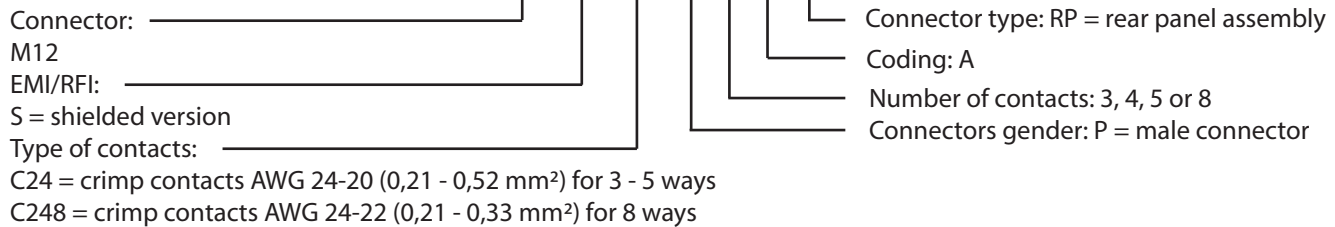
M12 Connectors A-Coded M12CRP Series

EMI/RFI shielded male panel connector rear assembly with crimp contacts



PART NUMBERING SYSTEM

M12 S C24 P 4 A RP



TECHNICAL SPECIFICATIONS

General values

| | |
|------------------|--|
| Connector design | Male panel connector |
| Locking system | M12 x 1 |
| Termination | Crimp |
| Wire gauge | 0,21 - 0,52 mm ² (3 - 5 ways) 0,21 - 0,33 mm ² (8 ways) |
| Panel thickness | ≤ 4 mm |
| Temp. range | -25°C to 85°C IEC 60664-1 |
| IP rating | IP67 IEC 60529 |
| Mounting torque | 60 Ncm |

Electrical values

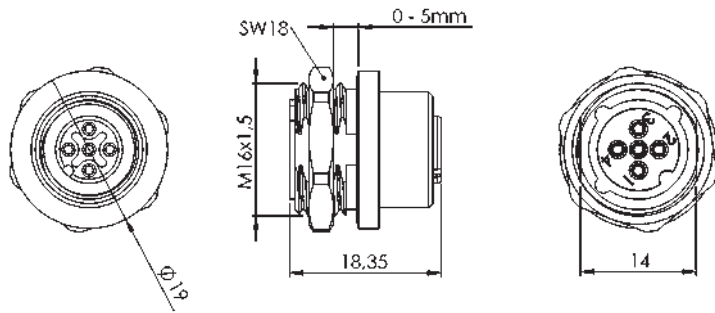
| | |
|-------------------|--|
| Rated voltage | 250 V (3 - 4 contacts) |
| IEC 61076-2-101 | 60 V (5 contacts) 30 V (8 contacts) |
| Rated current | 4 A (3 - 5 contacts) 2 A (8 contacts) |
| IEC 61076-2-101 | 2 A (8 contacts) |
| Volume resistance | ≤ 8mΩ |
| Mating cycles | > 100 IEC 60512-9A |
| Pollution degree | 3 IEC 60664-1 |

Material

| | |
|-----------------------|-----------------------|
| Material of contact | CuZn, Brass alloy |
| Contact plating | Au-plated, Au over Ni |
| Contact body material | PA, Polyamide |
| Housing material | CuZn, Brass alloy |
| Plating housing | Ni-plated, Ni over Cu |
| O-ring | FKM |

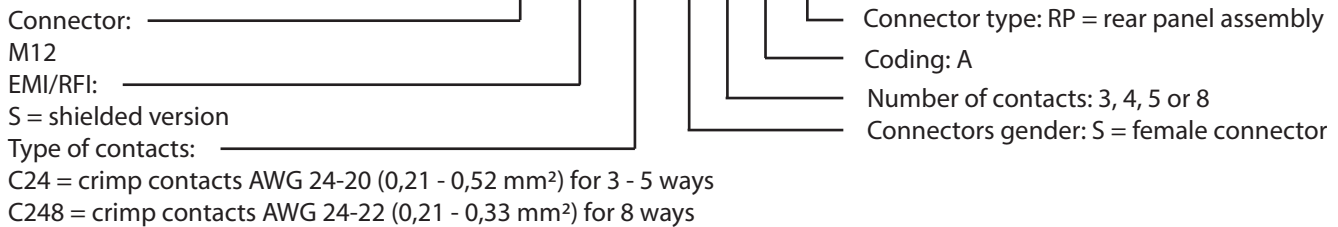
M12 Connectors A-Coded M12CRP Series

EMI/RFI shielded female panel connector rear assembly with crimp contacts



PART NUMBERING SYSTEM

M12 S C24 S 4 A RP



TECHNICAL SPECIFICATIONS

General values

| | |
|------------------|--|
| Connector design | Female panel connector |
| Locking system | M12 x 1 |
| Termination | Crimp |
| Wire gauge | 0,21 - 0,52 mm ² (3 - 5 ways) 0,21 - 0,33 mm ² (8 ways) |
| Panel thickness | ≤ 4 mm |
| Temp. range | -25°C to 85°C IEC 60664-1 |
| IP rating | IP67 IEC 60529 |
| Mounting torque | 60 Ncm |

Electrical values





| | |
|-------------------|--|
| Rated voltage | 250 V (3 - 4 contacts) |
| IEC 61076-2-101 | 60 V (5 contacts) 30 V (8 contacts) |
| Rated current | 4 A (3 - 5 contacts) 2 A (8 contacts) |
| IEC 61076-2-101 | |
| Volume resistance | ≤ 8mΩ |
| Mating cycles | > 100 IEC 60512-9A |
| Pollution degree | 3 IEC 60664-1 |

Material

| | |
|-----------------------|-----------------------|
| Material of contact | CuZn, Brass alloy |
| Contact plating | Au-plated, Au over Ni |
| Contact body material | PA, Polyamide |
| Housing material | CuZn, Brass alloy |
| Plating housing | Ni-plated, Ni over Cu |
| O-ring | FKM |

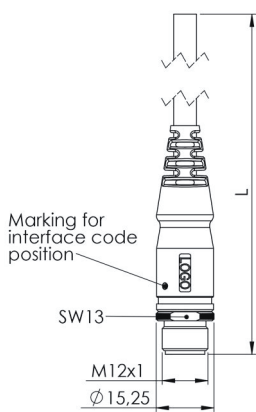
M12 Connector System:
A-coded moulded cable open end, axial
Male



| Moulded cable open end | | | | | | | | | |
|---|--------------------|---------------|---------------|-----------|--------------------|---------------|--------------------|-----------------|--|
| Interface | Number of contacts | Rated Current | Rated Voltage | IP rating | Cable length | Custom length | Cable outer jacket | Standard | |
|  | 3 | 4A | 250V | IP67 | 1 / 2 / 3 / 5 / 10 | Yes | PUR or PVC | IEC 61076-2-101 | |
|  | 4 | 4A | 250V | IP67 | 1 / 2 / 3 / 5 / 10 | Yes | PUR or PVC | IEC 61076-2-101 | |
|  | 5 | 4A | 60V | IP67 | 1 / 2 / 3 / 5 / 10 | Yes | PUR or PVC | IEC 61076-2-101 | |
|  | 8 | 2A | 30V | IP67 | 1 / 2 / 3 / 5 / 10 | Yes | PUR or PVC | IEC 61076-2-101 | |

M12 open-end cordset M12UMA Series

Unshielded open-ended cordset, M12x1 male with PUR or PVC cable



3 contacts



4 contacts



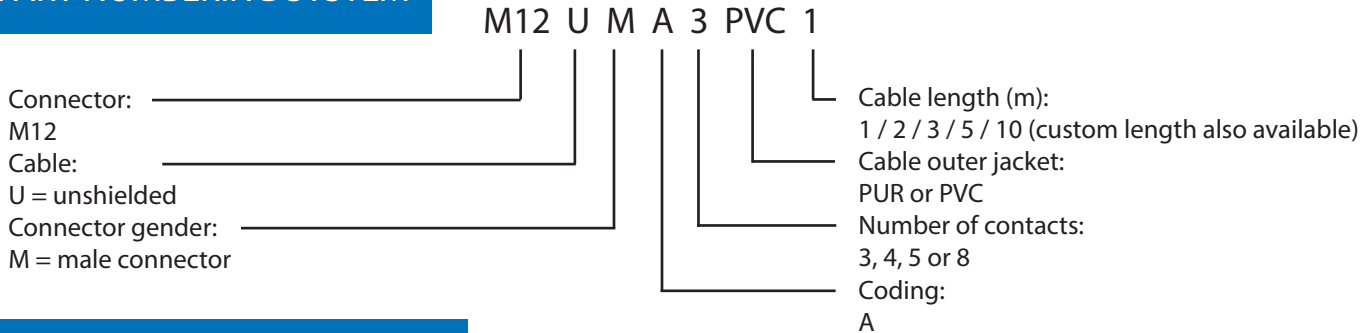
5 contacts



8 contacts



PART NUMBERING SYSTEM



TECHNICAL SPECIFICATIONS

General values

| | |
|--------------------|---|
| Connector | Male M12x1, axial |
| Number of contacts | 3, 4, 5 or 8 |
| Coding | A |
| Temp. range | -30°C to +80°C IEC 60664-1 |
| IP rating | IP67 IEC 60529 |
| Mounting torque | 60 Ncm |
| Wire cross section | 0.34 mm ² / 0.34 mm ² |
| Bending radius | 5 x Ø fixed, 10 x Ø repeated |

Electrical values

| | |
|-------------------|------------------------|
| Rated voltage | 250 V (3 - 4 contacts) |
| IEC 61076-2-101 | 60 V (5 contacts) |
| | 30 V (8 contacts) |
| Rated current | 4 A (3 - 5 contacts) |
| IEC 61076-2-101 | 2 A (8 contacts) |
| Volume resistance | ≤ 8mΩ |
| Mating cycles | > 100 IEC 60512-9A |
| Pollution degree | 3 IEC 60664-1 |





Material

| | |
|--------------------------|------------------------------|
| Contact material | CuZn, Brass alloy, Au-plated |
| Contact body material | PA |
| Coupling nut material | CuZn, Brass alloy, Ni-plated |
| Grip body material | TPU |
| Cable jacket material | PUR or PVC |
| Wire insulation material | PP |

M12 Connector System:
A-coded moulded cable open end, axial
Female

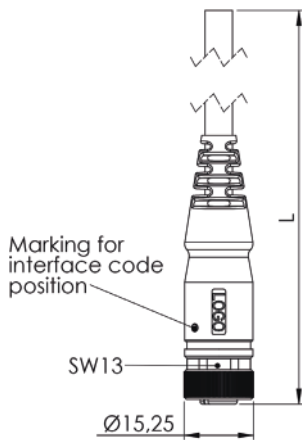


Moulded cable open end

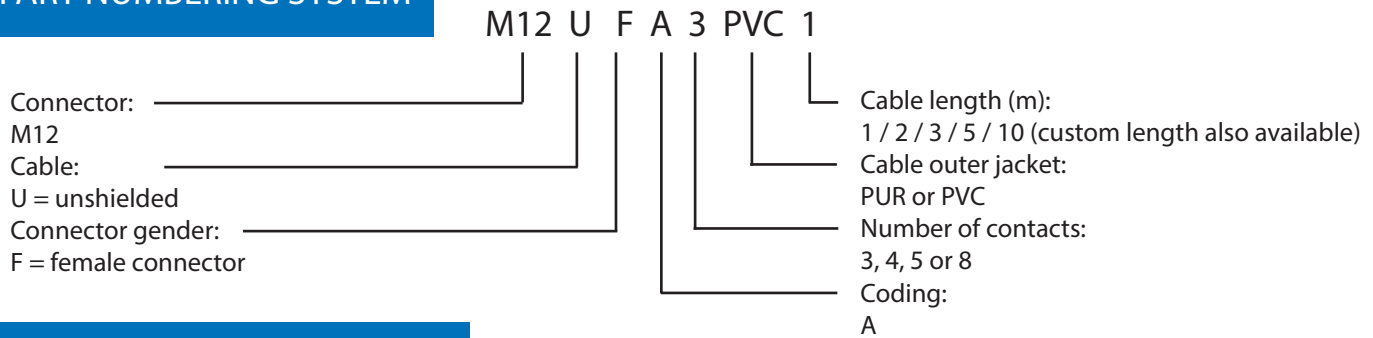
| Interface | Number of contacts | Rated Current | Rated Voltage | IP rating | Cable length | Custom length | Cable outer jacket | Standard |
|---|--------------------|---------------|---------------|-----------|--------------------|---------------|--------------------|-----------------|
|  | 3 | 4A | 250V | IP67 | 1 / 2 / 3 / 5 / 10 | Yes | PUR or PVC | IEC 61076-2-101 |
|  | 4 | 4A | 250V | IP67 | 1 / 2 / 3 / 5 / 10 | Yes | PUR or PVC | IEC 61076-2-101 |
|  | 5 | 4A | 60V | IP67 | 1 / 2 / 3 / 5 / 10 | Yes | PUR or PVC | IEC 61076-2-101 |
|  | 8 | 2A | 30V | IP67 | 1 / 2 / 3 / 5 / 10 | Yes | PUR or PVC | IEC 61076-2-101 |

M12 open-end cordset M12UFA Series

Unshielded open-ended cordset, M12x1 female with PUR or PVC cable



PART NUMBERING SYSTEM



TECHNICAL SPECIFICATIONS

General values

| | |
|--------------------|---|
| Connector | Female M12x1, axial |
| Number of contacts | 3, 4, 5 or 8 |
| Coding | A |
| Temp. range | -30°C to +80°C IEC 60664-1 |
| IP rating | IP67 IEC 60529 |
| Mounting torque | 60 Ncm |
| Wire cross section | 0.34 mm ² / 0.25 mm ² |
| Bending radius | 5 x Ø fixed, 10 x Ø repeated |

Electrical values

| | |
|-------------------|------------------------|
| Rated voltage | 250 V (3 - 4 contacts) |
| IEC 61076-2-101 | 60 V (5 contacts) |
| | 30 V (8 contacts) |
| Rated current | 4 A (3 - 5 contacts) |
| IEC 61076-2-101 | 2 A (8 contacts) |
| Volume resistance | ≤ 8mΩ |
| Mating cycles | > 100 IEC 60512-9A |
| Pollution degree | 3 IEC 60664-1 |





Material

| | |
|--------------------------|------------------------------|
| Contact material | CuZn, Brass alloy, Au-plated |
| Contact body material | PA |
| Coupling nut material | CuZn, Brass alloy, Ni-plated |
| Grip body material | TPU |
| Cable jacket material | PUR or PVC |
| Wire insulation material | PP |

M12 Connector System:
 A-coded moulded cable open end, axial
 EMI/RFI shielded
 Male

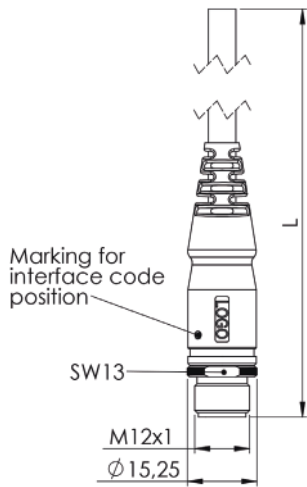


EMI/RFI shielded moulded cable open end

| Interface | Number of contacts | Rated Current | Rated Voltage | IP rating | Cable length | Custom length | Cable outer jacket | Standard |
|---|--------------------|---------------|---------------|-----------|--------------------|---------------|--------------------|-----------------|
|  | 3 | 4A | 250V | IP67 | 1 / 2 / 3 / 5 / 10 | Yes | PUR or PVC | IEC 61076-2-101 |
|  | 4 | 4A | 250V | IP67 | 1 / 2 / 3 / 5 / 10 | Yes | PUR or PVC | IEC 61076-2-101 |
|  | 5 | 4A | 60V | IP67 | 1 / 2 / 3 / 5 / 10 | Yes | PUR or PVC | IEC 61076-2-101 |
|  | 8 | 2A | 30V | IP67 | 1 / 2 / 3 / 5 / 10 | Yes | PUR or PVC | IEC 61076-2-101 |

M12 open-end cordset M12SMA Series

EMI/RFI shielded open-ended cordset, M12x1 male with PUR or PVC cable



3 contacts



4 contacts



5 contacts

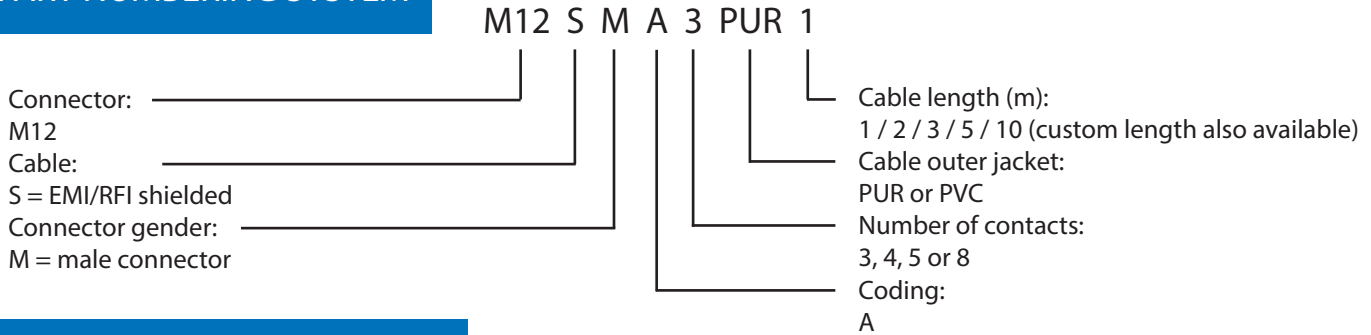


8 contacts



360° EMI/RFI shielded backshell

PART NUMBERING SYSTEM



TECHNICAL SPECIFICATIONS

General values

| | |
|--------------------|---|
| Connector | Male M12x1, axial |
| Number of contacts | 3, 4, 5 or 8 |
| Coding | A |
| Temp. range | -30°C to +80°C IEC 60664-1 |
| IP rating | IP67 IEC 60529 |
| Mounting torque | 60 Ncm |
| Wire cross section | 0.34 mm ² / 0.25 mm ² |
| Bending radius | 5 x Ø fixed, 10 x Ø repeated |

Electrical values

| | |
|-------------------|------------------------|
| Rated voltage | 250 V (3 - 4 contacts) |
| IEC 61076-2-101 | 60 V (5 contacts) |
| | 30 V (8 contacts) |
| Rated current | 4 A (3 - 5 contacts) |
| IEC 61076-2-101 | 2 A (8 contacts) |
| Volume resistance | ≤ 8mΩ |
| Mating cycles | > 100 IEC 60512-9A |
| Pollution degree | 3 IEC 60664-1 |





Material

| | |
|--------------------------|------------------------------|
| Contact material | CuZn, Brass alloy, Au-plated |
| Contact body material | PA |
| Coupling nut material | CuZn, Brass alloy, Ni-plated |
| Grip body material | TPU |
| Cable jacket material | PUR or PVC |
| Wire insulation material | PP |

M12 Connector System:
 A-coded moulded cable open end, axial
 EMI/RFI shielded
 Female

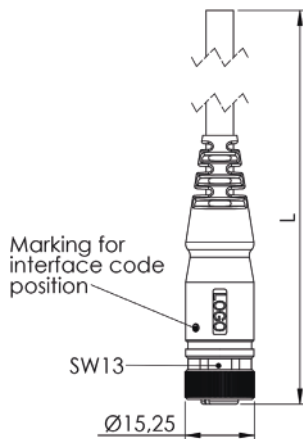


EMI/RFI shielded moulded cable open end

| Interface | Number of contacts | Rated Current | Rated Voltage | IP rating | Cable length | Custom length | Cable outer jacket | Standard |
|---|--------------------|---------------|---------------|-----------|--------------------|---------------|--------------------|-----------------|
|  | 3 | 4A | 250V | IP67 | 1 / 2 / 3 / 5 / 10 | Yes | PUR or PVC | IEC 61076-2-101 |
|  | 4 | 4A | 250V | IP67 | 1 / 2 / 3 / 5 / 10 | Yes | PUR or PVC | IEC 61076-2-101 |
|  | 5 | 4A | 60V | IP67 | 1 / 2 / 3 / 5 / 10 | Yes | PUR or PVC | IEC 61076-2-101 |
|  | 8 | 2A | 30V | IP67 | 1 / 2 / 3 / 5 / 10 | Yes | PUR or PVC | IEC 61076-2-101 |

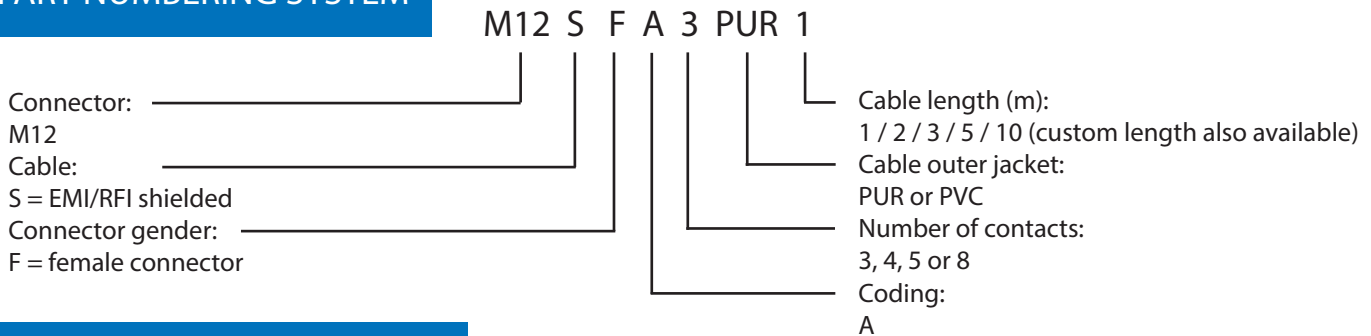
M12 open-end cordset M12SFA Series

EMI/RFI shielded open-ended cordset, M12x1 female with PUR or PVC cable



360° EMI/RFI shielded backshell

PART NUMBERING SYSTEM



TECHNICAL SPECIFICATIONS

General values

| | |
|--------------------|---|
| Connector | Female M12x1, axial |
| Number of contacts | 3, 4, 5 or 8 |
| Coding | A |
| Temp. range | -30°C to +80°C IEC 60664-1 |
| IP rating | IP67 IEC 60529 |
| Mounting torque | 60 Ncm |
| Wire cross section | 0.34 mm ² / 0.25 mm ² |
| Bending radius | 5 x Ø fixed, 10 x Ø repeated |

Electrical values

| | |
|-------------------|------------------------|
| Rated voltage | 250 V (3 - 4 contacts) |
| IEC 61076-2-101 | 60 V (5 contacts) |
| | 30 V (8 contacts) |
| Rated current | 4 A (3 - 5 contacts) |
| IEC 61076-2-101 | 2 A (8 contacts) |
| Volume resistance | ≤ 8mΩ |
| Mating cycles | > 100 IEC 60512-9A |
| Pollution degree | 3 IEC 60664-1 |

Material

| | |
|--------------------------|------------------------------|
| Contact material | CuZn, Brass alloy, Au-plated |
| Contact body material | PA |
| Coupling nut material | CuZn, Brass alloy, Ni-plated |
| Grip body material | TPU |
| Cable jacket material | PUR or PVC |
| Wire insulation material | PP |

M12 Connector Tools

M12 CRIMPING TOOL

Part number: M12CT



M12 CRIMPING TOOL LOCATOR

Part number: M12CLT-AWG26/18



Tool locator setting

| Contact item | Wire gauge | Locator setting |
|------------------|-----------------|-----------------|
| M12MC22, M12FC22 | AWG 18 | 6 |
| | AWG 20 | 6 |
| | AWG 22 | 5 |
| M12MC24, M12FC24 | AWG 20, 22 & 24 | 6 |
| M12MC26, M12FC26 | AWG 22, 24 & 26 | 6 |

M12 SINGLE CRIMP CONTACTS

Turned male contacts

| Part number | Wire gauge | Packaging | Contact diameter |
|-------------|---|------------------|------------------|
| M12MC22 | AWG 22 - 18 / 0,33 - 0,82 mm ² | 100 pcs per unit | 1,0 mm |
| M12MC24 | AWG 24 - 20 / 0,21 - 0,52 mm ² | 100 pcs per unit | 1,0 mm |
| M12MC26 | AWG 22 - 18 / 0,13 - 0,33 mm ² | 100 pcs per unit | 1,0 mm |
| M12MC228 | AWG 22 - 18 / 0,33 - 0,82 mm ² | 100 pcs per unit | 0,8 mm |
| M12MC248 | AWG 24 - 20 / 0,21 - 0,52 mm ² | 100 pcs per unit | 0,8 mm |
| M12MC268 | AWG 22 - 18 / 0,13 - 0,33 mm ² | 100 pcs per unit | 0,8 mm |



Turned female contacts

| Part number | Wire gauge | Packaging | Contact diameter |
|-------------|---|------------------|------------------|
| M12FC22 | AWG 22 - 18 / 0,33 - 0,82 mm ² | 100 pcs per unit | 1,0 mm |
| M12FC24 | AWG 24 - 20 / 0,21 - 0,52 mm ² | 100 pcs per unit | 1,0 mm |
| M12FC26 | AWG 22 - 18 / 0,13 - 0,33 mm ² | 100 pcs per unit | 1,0 mm |
| M12FC228 | AWG 22 - 18 / 0,33 - 0,82 mm ² | 100 pcs per unit | 0,8 mm |
| M12FC248 | AWG 24 - 20 / 0,21 - 0,52 mm ² | 100 pcs per unit | 0,8 mm |
| M12FC268 | AWG 22 - 18 / 0,13 - 0,33 mm ² | 100 pcs per unit | 0,8 mm |



M12 DYNAMOMETRIC SCREWDRIVER

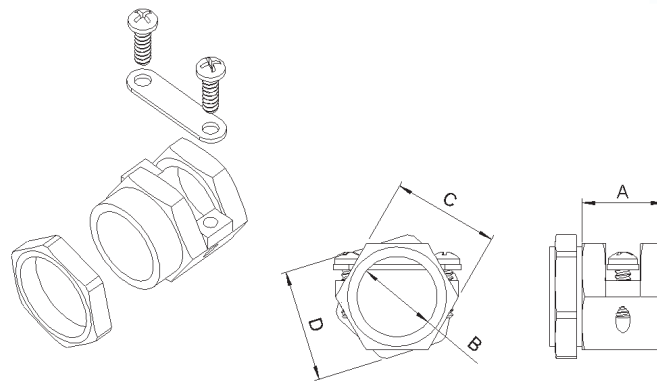
| Part number | Dimension | Mounting torque |
|-------------|-----------|-----------------|
| M12DYSC16 | SW16 | 60 Ncm |
| M12DYSC18 | SW18 | 60 Ncm |



Cable PG Bushings OPG Series

TECHNICAL SPECIFICATIONS

Material: PPS UL94 V0
 Temp. range: -40°C - 90°C
 Each kit comprise: 1 bushing with nut
 1 cable clamp
 2 screws for cable clamp
 Colour: Black



| TYPE | A | B | C | D |
|---------|------|-------|----|----|
| OPG11 | 15,5 | Ø15 | 20 | 21 |
| OPG13,5 | 16,5 | Ø16,5 | 22 | 23 |

PART NUMBERING SYSTEM

OPG - 11 - K

Series: _____
 OPG
 Size: _____
 11 = PG11
 13.5 = PG13.5
 Packaging: _____
 K = Kit package
 BULK = Bulk / 100 pcs

FEATURES

- Moulded in PPS UL94 V0
- Available in dimension PG11 and PG13.5
- Few parts and attractive design for easy assembly
- Clamping range 4 - 12 mm (PG11) and 5 - 14 mm (PG13.5)

Boardmount Connectors OM9

TECHNICAL SPECIFICATIONS

Material insulator: Glass filled Polyetersulfone
UL94 V0

Number of contacts: 9

Material contacts: High conductive copper alloy

Plating: Gold flash over Ni

Oper. temperature: -55°C to 125°C

Current rating: 7.5 A

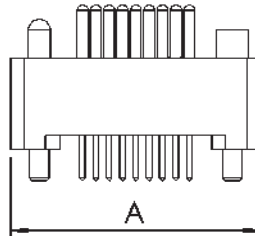
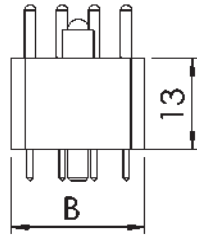
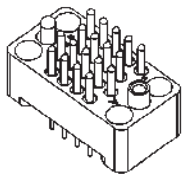
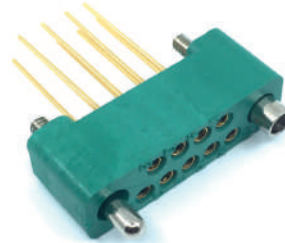
Contact resistance: < 3 mΩ

Insulation resistance: > 5000 MΩ

Operating voltage: 750 V RMS

Durability: 500 contact cycles

Colour insulator: Green



| TYPE | A | B |
|------|------|-----|
| OM9 | 33,3 | 9,5 |
| OM18 | 35,8 | 19 |
| OM34 | 51 | 19 |

PART NUMBERING SYSTEM

OM - 9 - H - 12

Series: _____

OM

Number of contacts: _____

9, 18 and 34

Gender: _____

H = Female

P = Male

Guidepins: _____

1 = Pin

2 = Socket

3 = Threaded pin

4 = Threaded socket

DESCRIPTION

- OM Series, straight contacts for pcb mounting
- OMV Series, angled contacts for pcb mounting
- OK Series, straight contacts for cable mounting

Boardmount Connectors OM18

TECHNICAL SPECIFICATIONS

Material insulator: Glass filled Polyetersulfone
UL94 V0

Number of contacts: 18

Material contacts: High conductive copper alloy

Plating: Gold flash over Ni

Oper. temperature: -55°C to 125°C

Current rating: 7.5 A

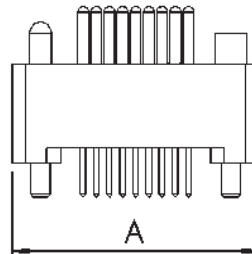
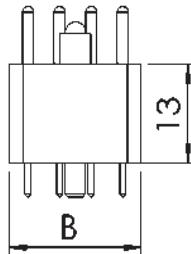
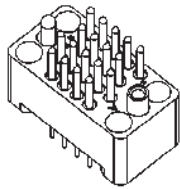
Contact resistance: < 3 mΩ

Insulation resistance: > 5000 MΩ

Operating voltage: 750 V RMS

Durability: 500 contact cycles

Colour insulator: Green



| TYPE | A | B |
|------|------|-----|
| OM9 | 33,3 | 9,5 |
| OM18 | 35,8 | 19 |
| OM34 | 51 | 19 |

PART NUMBERING SYSTEM

OM - 18 - P - 34

Series: _____

OM

Number of contacts: _____

9, 18 and 34

Gender: _____

H = Female

P = Male

Guide pins: _____

1 = Pin

2 = Socket

3 = Threaded

4 = Threaded socket

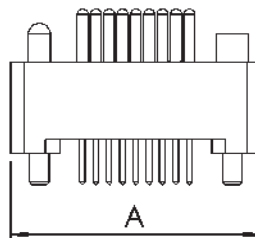
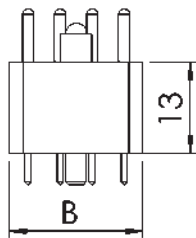
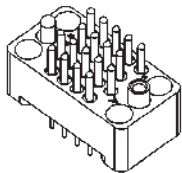
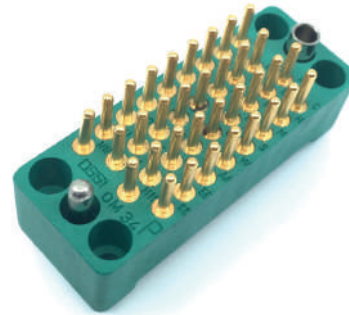
DESCRIPTION

- OM Series, straight contacts for pcb mounting
- OMV Series, angled contacts for pcb mounting
- OK Series, straight contacts for cable mounting

Boardmount Connectors OM34

TECHNICAL SPECIFICATIONS

| | |
|------------------------|---|
| Material insulator: | Glass filled Polyetersulfone UL94 V0 |
| Number of contacts: | 34 |
| Material contacts: | High conductive copper alloy |
| Plating: | Gold flash over Ni |
| Oper. temperature: | -55°C to 125°C |
| Current rating: | 7.5 A |
| Contact resistance: | < 3 mΩ |
| Insulation resistance: | > 5 000 MΩ |
| Operating voltage: | 750 V RMS |
| Durability: | 500 contact cycles |
| Colour insulator: | Green |



| TYPE | A | B |
|------|------|-----|
| OM9 | 33,3 | 9,5 |
| OM18 | 35,8 | 19 |
| OM34 | 51 | 19 |

PART NUMBERING SYSTEM

OM - 34 - P - 34

| | |
|---------------------|--|
| Series: | OM |
| Number of contacts: | 9, 18 and 34 |
| Gender: | H = Female P = Male |
| Guidepins: | 1 = Pin 2 = Socket 3 = Threaded pin 4 = Threaded socket |

DESCRIPTION

- OM Series, straight contacts for pcb mounting
- OMV Series, angled contacts for pcb mounting
- OK Series, straight contacts for cable mounting

Custom Designed Backshell

25-way D-Sub backshell



| | |
|--------------|--|
| Project: | EMI/RFI shielded D-Sub backshell |
| Application: | Signal transmission unit for radio link equipment |
| Solution: | Zinc die-cast backshell with nickel plated surface and separate cable strain relief combined with crimp ferrules and cable ferrule support |

Custom Designed Backshell

9 and 25-way EMI/RFI shielded backshell



| | |
|--------------|--|
| Project: | EMI/RFI shielded D-Sub backshell for medical device |
| Application: | Temperature controlled device for transportation of organs for transplantation |
| Solution: | 9 and 25-way low profile EMI/RFI shielded aluminium D-Sub backshells |

Custom Designed Backshell

25-way D-Sub backshell



Project: EMI/RFI shielded and IP67 D-Sub backshell
Application: Outdoor RBS system
Solution: CNC-machined aluminium D-Sub backshell

Custom Designed Backshell

37-way EMI/RFI shielded backshell



Project: EMI/RFI shielded D-Sub backshell with 2 cable outlets
Application: Robot for SMD assembly line
Solution: 37-way low profile EMI/RFI shielded D-Sub backshell with 2 cable outlets

Custom Designed Backshell

Power supply backshell



| | |
|--------------|---|
| Project: | EMI/RFI shielded backshell for 2 power cords with braided shield |
| Application: | Power supply unit for RBS system |
| Solution: | Die-casted zinc backshell with Ni-plated surface and separate flexible cable strain relief system |

Custom Designed Adaptor

9-way EMI/RFI shielded gender changer



| | |
|--------------|--|
| Project: | EMI/RFI shielded D-Sub gender changer |
| Application: | Communication system unit in train sets |
| Solution: | 9-way low profile EMI/RFI shielded and filtered gender changer manufactured from CNC milled aluminium with anodized surface |

Custom Designed D-Sub Backshell

Power supply backshell



| | |
|--------------|--|
| Project: | D-Sub backshell for 2 power cords and 3W3 connector |
| Application: | Power supply unit for RBS system |
| Solution: | 15-way D-Sub backshell with long jackscrews and integrated cable strain relief |

Custom Designed Backshell

25-way D-Sub backshell



| | |
|--------------|--|
| Project: | D-Sub backshell with long jackscrews UL94 V-0 rated |
| Application: | Integrated communication device for LAN network |
| Solution: | Polycarbonate moulded 25-way D-Sub backshell with internal dimension to fit 16 cm ² printed circuit board |

Custom Designed Backshell

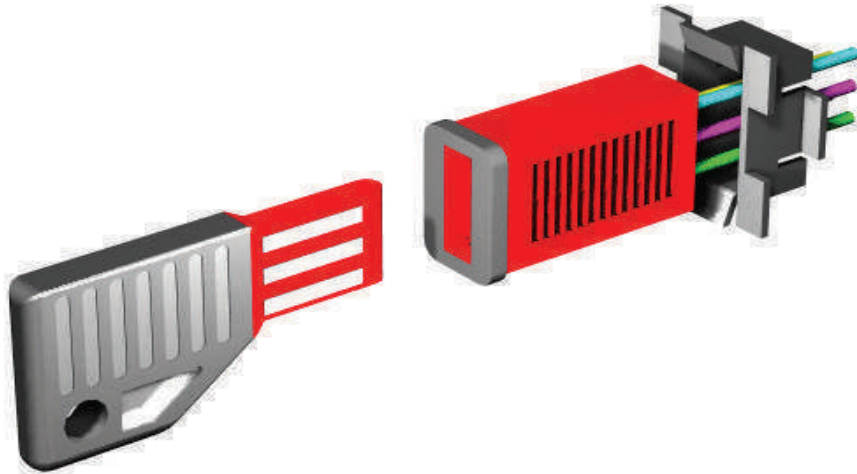
25-way D-Sub backshell



Project: EMI/RFI shielded and IP67 D-Sub backshell
Application: Outdoor RBS system
Solution: CNC-machined aluminium D-Sub backshell with silicon gasket and chromated surface

Custom Designed Connector

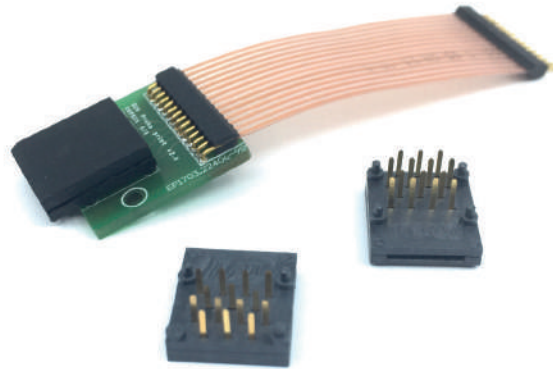
5-way immobiliser connector



| | |
|--------------|---|
| Project: | Key and receptacle with integrated circuit connected to black box device in vehicle |
| Application: | Male connector and female dashboard connector for vehicle immobiliser |
| Solution: | 5-way key connector with ceramic solder chip and 5-way dashboard receptacle connected to vehicle device |

Custom Designed Connector

12-way measure device panel connector



| | |
|--------------|---|
| Project: | Combined connector and holder integrated to probe for measure device |
| Application: | Measurement of resistance applicable to nano technology |
| Solution: | 12-way connector with contacts for soldering to printed circuit board |

Custom Designed Cable Accessories

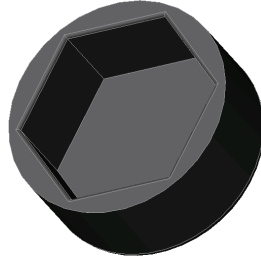
35 and 70 mm² connector insulator



| | |
|--------------|--|
| Project: | Power cord for AC-DC units in various telecommunication equipment |
| Application: | Insulation of connectors with 35 and 70 mm ² conductors |
| Solution: | 1 piece moulded UL94 V0 Evoprene Thermoplastic Elastomer (TPE) |

Custom Designed Cable Accessories

Screw head insulator



Project: Power supply unit for telecommunication equipment
Application: Insulation of screw head for ground termination
Solution: 1 piece moulded UL94 V0 Evoprene Thermoplastic Elastomer (TPE)

Custom Designed Connector

2-way radar detection device connector



Project: Radar device system for measuring level in tank of fluid liquid
Application: Female cable connector and male panel connector
Solution: 2-way male panel connector and female cable connector

Custom Designed Connector

11-way aerospace connector system



Project: Interconnection solution for military aircraft communication device
Application: Male cable connector and female panel connector
Solution: 11-way connector system for aircraft and communication device

Custom Designed Connector

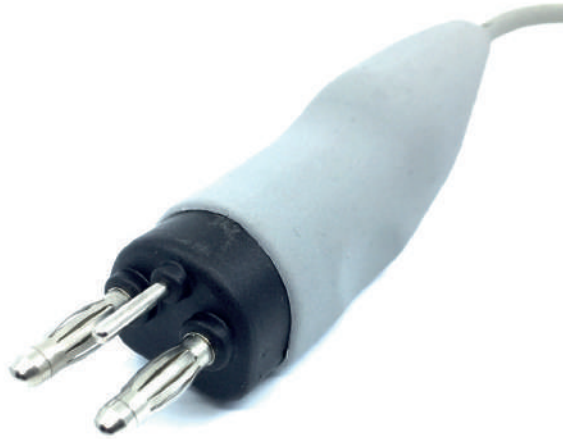
5-way IDC connector



| | |
|--------------|---|
| Project: | Connection of power- and control cord in elevator shafts |
| Application: | Connector and strain relief for lift in elevator shaft |
| Solution: | 5-way IDC connector with integrated cable strain relief for installation on site with unbraco screw |

Custom Designed Medical Solution

3-way cable connector



Project: Overmoulded connector medical for surgery device
Application: Spark eroding surgery device for treating joints and meniscuses
Solution: 3-way overmoulded sterilizable connector with Ni-plated turned contacts

Custom Designed Medical Solution

9-way D-Sub cable connector and backshell



Project: Connector and backshell for interconnection of equipment to patient
Application: Oxygen level measurement (saturation) device of patient during surgery
Solution: 9-way D-Sub backshell and connector moulded in sterilizeable polymer
UL94 V-0 approved with Au-plated turned contacts

Custom Designed Cable Accessories

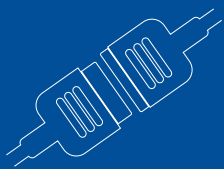
Moulded cable strain relief



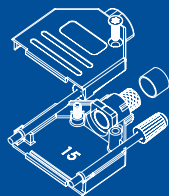
Project: Control cable for gearbox in vehicles
Application: Cable fixture to control box connected to gearbox in trucks
Solution: 1 piece moulded FRP Polycarbonate UL94 V0 strain relief

CONNECT TO OSSI

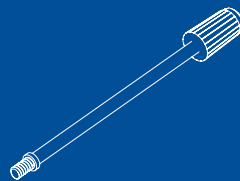
DISCOVER OUR PRODUCTS, SERVICES AND
ONLINE CATALOGUES AT WWW.OSSI.DK



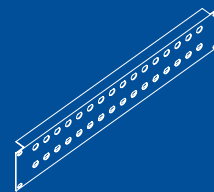
MAIN
CATALOGUE



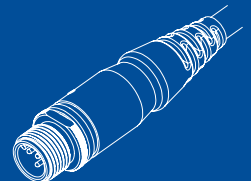
D-SUB
BACKSHELLS



D-SUB
ACCESSORIES



19" PATCH
PANELS



M12 CIRCULAR
CONNECTORS

OSSI[®]
CONNECTORS
CONNECTORS, PARTS AND
EXCELLENCE SINCE 1974

OSSI CONNECTORS A/S
ANKER JØRGENSENS VEJ 2
DK-4930 MARIBO
DENMARK
WEB: WWW.OSSI.DK
TEL: +45 54 78 28 88
E-MAIL: INFO@OSSI.DK

ALL RIGHTS RESERVED ©1974-2018 OSSI CONNECTORS A/S. OSSI® IS A REGISTERED TRADEMARK. LAND DESIGNLAB FOR OSSI CONNECTORS 10.18>